

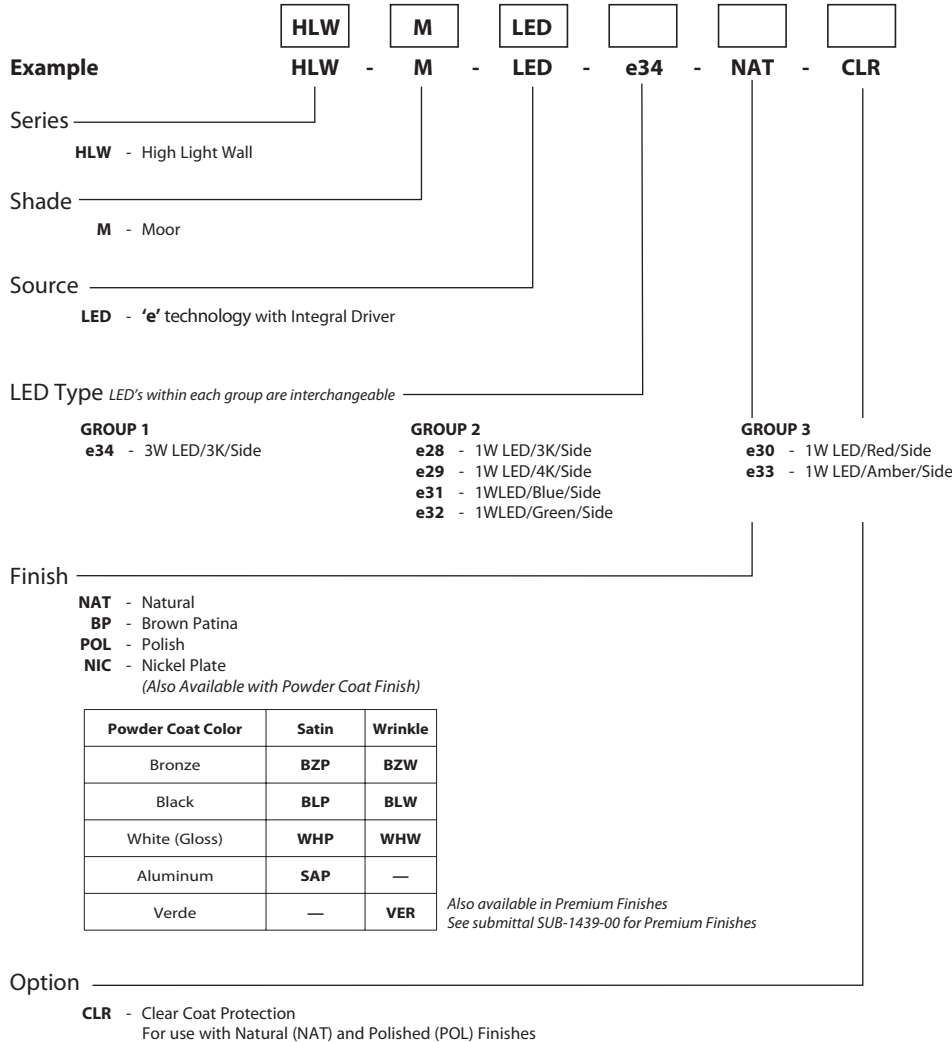
THE HIGH LIGHT SERIES



# MOOR HIGH LIGHT WALL

PROJECT:	
TYPE:	
CATALOG NUMBER:	
SOURCE:	
NOTES:	

## CATALOG NUMBER LOGIC



### LM79 DATA

Group	BK No.	CCT(Typ.)	Input Watts	CRI (Typ.)
1	e34	3000K White	2.8	72
2	e28	3000K White	1.1	72
2	e29	4000K White	1.1	66
2	e31	Blue (460nm)	1.1	~
2	e32	Green (525nm)	1.1	~
3	e30	Red (625nm)	1.1	~
3	e33	Amber (592nm)	1.1	~

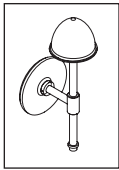
### L70 DATA

Minimum Rated Life (hrs.) 70% of initial lumens (L70)
35,000
35,000
35,000
50,000
50,000
50,000
50,000

### \*OPTICAL DATA

Beam Type	Angle
Radial	360°h x 270°v
Radial	360°h x 270°v
Radial	360°h x 270°v
Radial	360°h x 270°v
Radial	360°h x 270°v
Radial	360°h x 270°v
Radial	360°h x 270°v

THIS DOCUMENT CONTAINS PROPRIETARY INFORMATION OF TEKA ILLUMINATION AND ITS RECEIPT OR POSSESSION DOES NOT CONVEY ANY RIGHTS TO REPRODUCE, DISCLOSE ITS CONTENTS, OR TO MANUFACTURE, USE OR SELL ANYTHING IT MAY DESCRIBE. REPRODUCTION, DISCLOSURE OR USE WITHOUT SPECIFIC WRITTEN AUTHORIZATION OF TEKA ILLUMINATION IS STRICTLY FORBIDDEN.



THE  
HIGH LIGHT  
SERIES

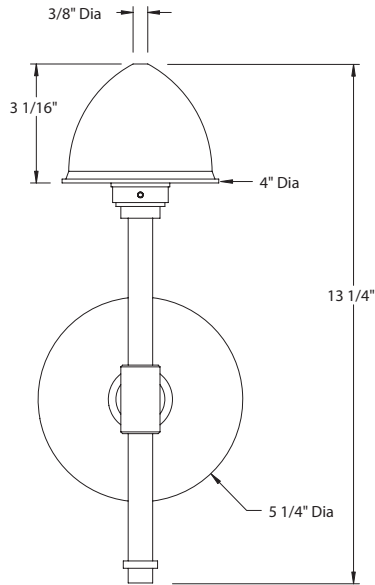
**BKSSL**  
SOLID STATE LIGHTING

# MOOR HIGH LIGHT WALL

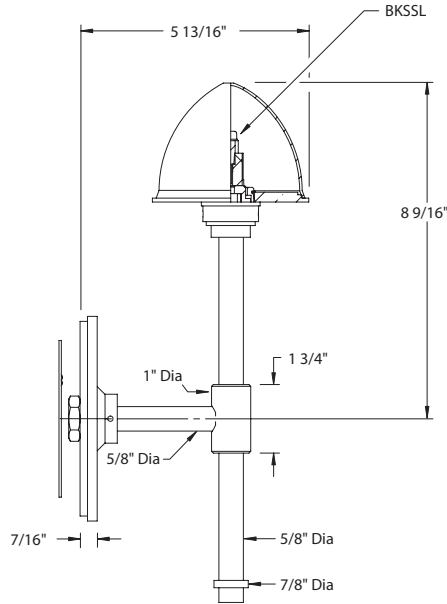
PROJECT:

TYPE:

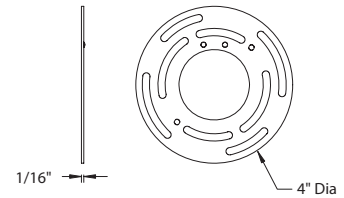
## FRONT VIEW



## SIDE VIEW

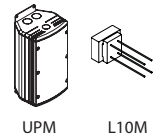


## UNIVERSAL RING



### Accessories (Configure separately)

- UPMRM** - Universal Power Module™ Remote
- L10M** - Magnetic Low Voltage Transformer



UPM L10M

## SPECIFICATIONS

### GreenSource Initiative™

Metal and packaging components are made from recycled materials. Manufactured using renewable solar energy, produced onsite. Returnable to manufacturer at end of life to ensure cradle-to-cradle handling. Packaging contains no chlorofluorocarbons (CFC's). Use of this product may qualify for GreenSource efficacy and recycling rebate(s). Consult [www.tekaillumination.com/greensource](http://www.tekaillumination.com/greensource) for program requirements.

### Enduring Metals

Constructed from copper, brass, and stainless steel. These lifetime materials are inherently corrosion resistant.

### Installation

5" diameter, machined aluminum mounting plate with textured black finish. Includes stainless steel universal mounting ring for use with 4" octagonal junction box. Supplied with [2] tamper-resistant, black oxide stainless steel mounting screws.

### Canopy

5-1/4" diameter cover conceals mounting plate and hardware. Hand spun from high purity, solid copper plate with tamper resistant, machined brass lock collar.

### Shade

Hand spun from high purity, solid copper plate.

### Lens

Injection molded 4" clear acrylic lens with etched, illuminated edge is factory adhered to shade and provides sealed optical compartment.

### Body

Base is machined from solid brass. High temperature, silicone 'O' Ring provides water tight seal to shade assembly. Stem is machined from heavy wall 5/8" O.D. brass with solid machined brass accents.

### BKSSL™

Screw-based, side-emitting, multi-directional, integrated solid state system with 'e' technology is scalable for field upgrade. Modular design with electrical quick disconnects permit field maintenance. Refer to LED Type to determine component interchangeability.

Integral non-dimming driver. Up to 50,000 hour rated life at 70% of initial lumens (L70). BKSSL technology provides long life, significant energy reduction and exceptional thermal management.

### Transformer

For use with 12VAC **BKSSL** remote transformer.

### Wiring

Black, 16/2 PVC coated wire. 150V 60° C rated and certified to UL 1659 standard.

### Hardware

Tamper resistant, stainless steel hardware.

### Finish

Natural (NAT): Copper and brass components are sand blasted to expose the porous metal surface. Over time, and with exposure to the elements, the metals will naturally 'weather' resulting in a unique patina.

Factory Applied: Hand-crafted metal finishes include brown patina (BP), polish (POL), and nickel plate (NIC).

Powder Coat: Class 'A' TGIC polyester powder coating. RoHS compliant.

### Clear Coat Protection

Optional ceramic clear coating seals and protects underlying metals and protects against discoloration, fading, and wear. Highly impervious to chemicals, solvents, and graffiti. For use with natural (NAT) and polish (POL) finishes.

### Warranty

5 year limited warranty.

### Listings

ETL Listed to ANSI/UL Standard 1598 and Certified to CAN/CSA Standard C22.2 No. 250. Made in USA.



**TEKA** ILLUMINATION

40429 Brickyard Drive • Madera, CA 93636 • USA  
559.438.5800 • FAX 559.438.5900  
[www.tekaillumination.com](http://www.tekaillumination.com) • [info@tekaillumination.com](mailto:info@tekaillumination.com)

SUBMITTAL DATE

7-6-11

DRAWING NUMBER

SUB-001083.2