

THE HIGH LIGHT SERIES

Xelogen

CLASSIC HIGH LIGHT PATH

PROJECT:	
TYPE:	
CATALOG NUMBER:	
SOURCE:	
NOTES:	

CATALOG NUMBER LOGIC

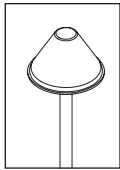
	HLP		C		LV																								
Example	HLP	-	C	-	LV	-	287	-	BP	-	18																		
Series	_____																												
	HLP - High Light Path																												
Shade	_____																												
	C - Classic																												
Source	_____																												
	LV - Low Voltage Xelogen																												
Lamp	_____																												
	0 - By others 287 - 12V 10W Xelogen G4 288 - 12V 20W Xelogen G4 <i>Requires Low Voltage Transformer.</i>																												
Finish	_____																												
	NAT - Natural BP - Brown Patina POL - Polish NIC - Nickel Plate <i>(Also Available with Powder Coat Finish)</i>																												
	<table border="1" style="width: 100%; border-collapse: collapse;"> <thead> <tr> <th>Powder Coat Color</th> <th>Satin</th> <th>Wrinkle</th> </tr> </thead> <tbody> <tr> <td>Bronze</td> <td>BZP</td> <td>BZW</td> </tr> <tr> <td>Black</td> <td>BLP</td> <td>BLW</td> </tr> <tr> <td>White (Gloss)</td> <td>WHP</td> <td>WHW</td> </tr> <tr> <td>Aluminum</td> <td>SAP</td> <td>—</td> </tr> <tr> <td>Verde</td> <td>—</td> <td>VER</td> </tr> </tbody> </table>											Powder Coat Color	Satin	Wrinkle	Bronze	BZP	BZW	Black	BLP	BLW	White (Gloss)	WHP	WHW	Aluminum	SAP	—	Verde	—	VER
Powder Coat Color	Satin	Wrinkle																											
Bronze	BZP	BZW																											
Black	BLP	BLW																											
White (Gloss)	WHP	WHW																											
Aluminum	SAP	—																											
Verde	—	VER																											
	<i>Also available in Premium Finishes See submittal SUB-1439-00 for Premium Finishes</i>																												
Stem Length (Specify inches)	_____																												
	6", 12", 18", 24", 30", 36", or 42"																												
Option	_____																												
	CLR - Clear Coat Protection For use with Natural (NAT) and Polished (POL) Finishes																												

LAMP DATA

Lamp No.	Watts	Description	Rated Life (Hrs.)*	Initial Lumens	CCT(K)
287	10	12V/10W/G4F-1210X/2800	20,000	100	2800
288	20	12V/20W/G4F-1220X/2800	10,000	250	2800

TEKA ILLUMINATION	40429 Brickyard Drive • Madera, CA 93636 • USA 559.438.5800 • FAX 559.438.5900 www.tekaillumination.com • info@tekaillumination.com	SUBMITTAL DATE	DRAWING NUMBER
		7-6-11	SUB-001081.3

THIS DOCUMENT CONTAINS PROPRIETARY INFORMATION OF TEKA ILLUMINATION AND ITS RECEIPT OR POSSESSION DOES NOT CONVEY ANY RIGHTS TO REPRODUCE, DISCLOSE ITS CONTENTS, OR TO MANUFACTURE, USE OR SELL ANYTHING IT MAY DESCRIBE. REPRODUCTION, DISCLOSURE OR USE WITHOUT SPECIFIC WRITTEN AUTHORIZATION OF TEKA ILLUMINATION IS STRICTLY FORBIDDEN.



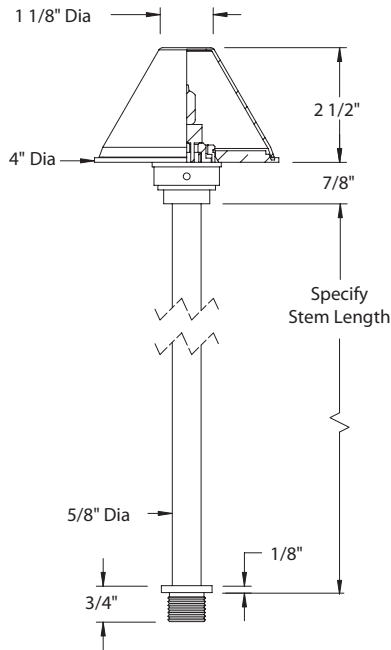
THE
HIGH LIGHT
SERIES

Xelogen

CLASSIC HIGH LIGHT PATH

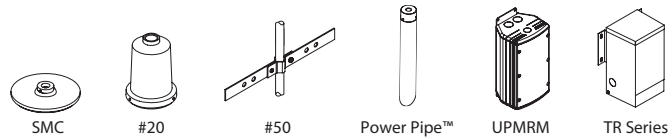
PROJECT:

TYPE:



Accessories (Configure separately)

- SMC** - Surface Mount Canopy
- 20** - #20 Surface Mount Adaptor
- 50** - #50 Clamp on Blades
- PP** - Power Pipe™
- UPMRM** - Universal Power Module™ Remote
- TR** - TR-Series Magnetic Low Voltage Transformer



SPECIFICATIONS

GreenSource Initiative™

Metal and packaging components are made from recycled materials. Manufactured using renewable solar energy, produced onsite. Returnable to manufacturer at end of life to ensure cradle-to-cradle handling. Packaging contains no chlorofluorocarbons (CFC's). Use of this product may qualify for GreenSource efficacy and recycling rebate(s). Consult www.tekaillumination.com/greensource for program requirements.

Enduring Metals

Constructed from copper, brass, and stainless steel. These lifetime materials are inherently corrosion resistant.

Shade

Hand spun from high purity, solid copper plate. Machined brass lamp base. High temperature, silicone 'O' Ring provides water tight seal.

Lens

Injection molded 4" clear acrylic lens with etched, illuminated edge is factory adhered to shade and provides sealed optical compartment.

Stem

Machined from heavy wall 5/8" O.D. copper. Machined brass 1/2" NPT adaptor for mounting to suitable enclosure.

Lamp Holder

Specification grade, ceramic body holder for GY6.35 lamp base. Nickel alloy contacts.

Lamp

For use with bipin low voltage Xelogen G4 lamps to 20 watts.

Transformer

For use with 12VAC remote transformer.

Wiring

Black, 16/2 PVC coated wire. 150V 60° C rated and certified to UL 1659 standard.

Hardware

Tamper resistant, stainless steel hardware.

Finish

Natural (NAT): Copper and brass components are sand blasted to expose the porous metal surface. Over time, and with exposure to the elements, the metals will naturally 'weather' resulting in a unique patina.

Factory Applied: Hand-crafted metal finishes include brown patina (BP), polish (POL), and nickel plate (NIC).

Powder Coat: Class 'A' TGIC polyester powder coating. RoHS compliant.

Clear Coat Protection

Optional ceramic clear coating seals and protects underlying metals and protects against discoloration, fading, and wear. Highly impervious to chemicals, solvents, and graffiti. For use with natural (NAT) and polish (POL) finishes.

Warranty

5 year limited warranty.

Listings

ETL Listed to ANSI/UL Standard 1598 and Certified to CAN/CSA Standard C22.2 No. 250. Made in USA.



TEKA ILLUMINATION

40429 Brickyard Drive • Madera, CA 93636 • USA
559.438.5800 • FAX 559.438.5900
www.tekaillumination.com • info@tekaillumination.com

SUBMITTAL DATE

7-6-11

DRAWING NUMBER

SUB-001082.3