

## Installation



# POWER PIPE II™ SYSTEM



Warning



High Voltage



Hot Surface

### TOOLS REQUIRED:

- 3/16" & 5/64" Allen Wrench
- Waterproof Wire Connectors
- Phillips Screwdriver

By Others

## IMPORTANT SAFETY INFORMATION - READ, FOLLOW, AND SAVE THESE INSTALLATION INSTRUCTIONS



**IMPORTANT - WEAR GLOVES TO AVOID GETTING FINGERPRINTS ON THIS PRODUCT. MANY TEKA ILLUMINATION PRODUCTS ARE DESIGNED TO NATURALLY PATINA. OILS FROM YOUR SKIN WILL ACCELERATE THIS PROCESS WHERE TOUCHED AND ARE NEARLY IMPOSSIBLE TO REMOVE. THIS PROCESS OCCURS OVER TIME AND IS DETERMINED BY THE INSTALLATION ENVIRONMENT.**

### INSTRUCTIONS PERTAINING TO A RISK OF FIRE, OR INJURY TO PERSONS IMPORTANT SAFETY INSTRUCTIONS

#### Lighted fixture is HOT!

#### WARNING - To reduce the risk of FIRE OR INJURY TO PERSONS:

Turn off/unplug and allow to cool before replacing LED. Fixture gets HOT quickly! Contact only switch/plug when turning on. Do not touch hot lens, guard, or enclosure. Keep fixture away from materials that may burn. Do not operate the luminaire fitting with a missing or damaged shield. Do not touch the source at any time. Use a soft cloth or gloves. Oil from skin may cause damage.

**SAVE THESE INSTRUCTIONS**

### IMPORTANT SAFETY INFORMATION - READ, FOLLOW, AND SAVE ALL SAFETY AND INSTALLATION INSTRUCTIONS

- Product must be installed by a qualified person in a manner consistent with its intended use and in compliance with the National Electrical Code, Canadian Electrical Code, and all Local and Provincial Codes.
- Follow product label information and instructions.
- Qualified Personnel with appropriate personal protective equipment must perform all servicing of this product.
- Before wiring to power supply and during servicing, turn off and lock out power at fuse or circuit breaker before service.
- The use of accessory equipment not recommended by the manufacturer or installed contrary to instructions may cause an unsafe condition. The use of damaged components may cause an unsafe condition and void product warranty.
- Do not block light emanating from product in whole or part, as this may cause an unsafe condition.
- Never operate the fixture with missing or damaged lens. Lens must be cleaned on regular basis.
- Entire fixture may become extremely hot. Do not touch hot lens or fixture body.
- Replace LED assembly only with correct wattage and type of power supply appropriate for LED assembly.
- All gaskets, o-rings and sealing surfaces must be kept clean during installation and service; failure to do this may cause an unsafe condition and void product warranty.

### IMPORTANT LISTINGS AND CERTIFICATIONS

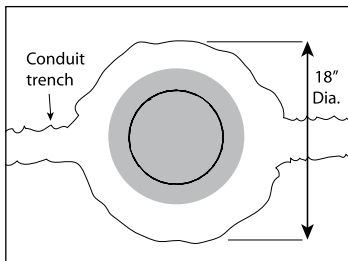
- Suitable for wet locations

**Proper soil preparation is recommended before installation. See the DIG-IT guide at [www.tekaillumination.com/dig-it](http://www.tekaillumination.com/dig-it) for more information.**

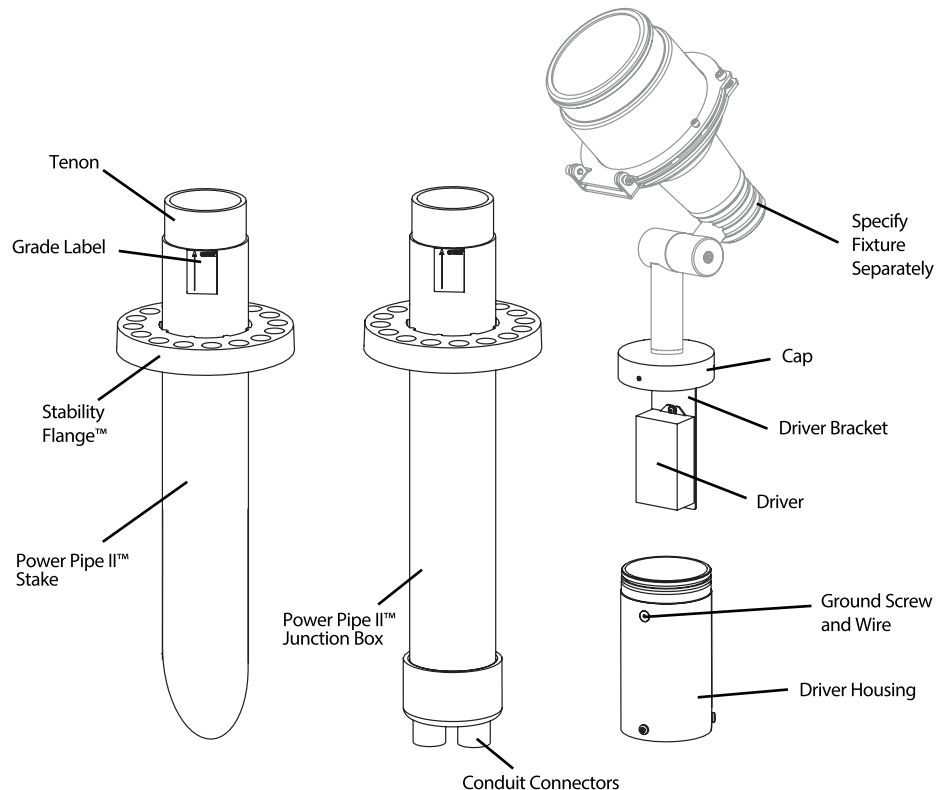
### Soil Prep



- A. Determine Soil Type by referencing DIG-IT Guide. Prep soil according to DIG-IT Guide.



- B. Excavate a hole to the necessary dimensions for fixture placement and conduit runs.



## IMPORTANT SAFETY INFORMATION - READ, FOLLOW, AND SAVE THESE INSTALLATION INSTRUCTIONS

**TEKA** ILLUMINATION

40429 Brickyard Drive • Madera, CA 93636 • USA  
559.438.5800 • FAX 559.438.5900  
[www.tekaillumination.com](http://www.tekaillumination.com) • [info@tekaillumination.com](mailto:info@tekaillumination.com)

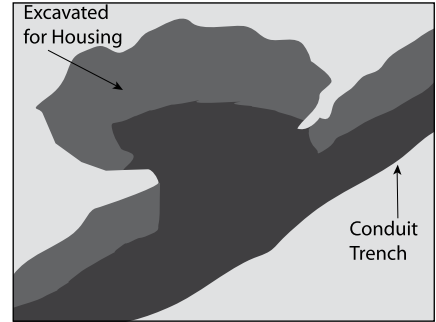
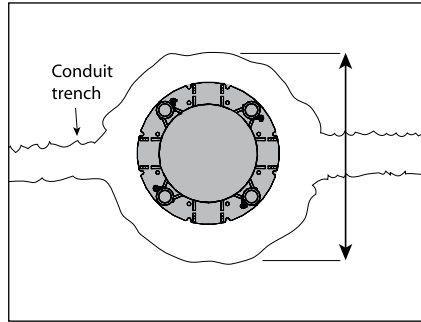
RELEASE DATE  
9-13-17

DRAWING NUMBER  
INS-2656-00

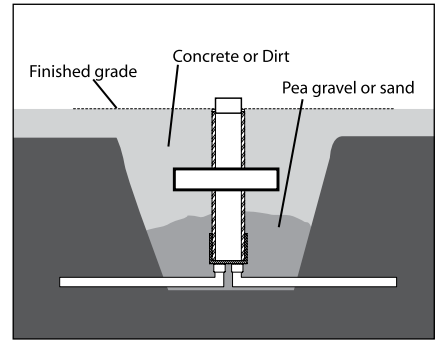
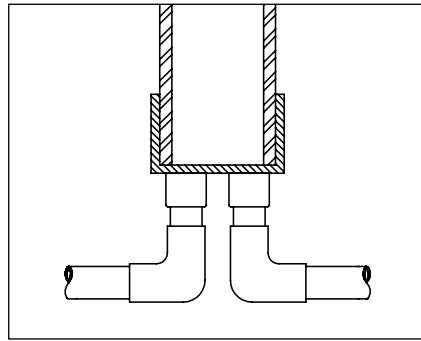
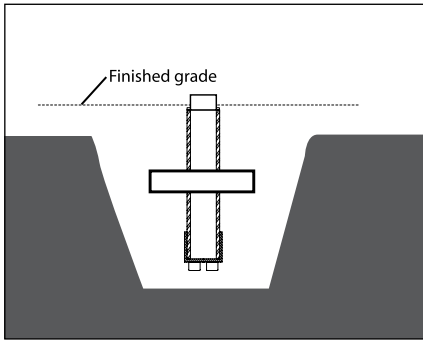
THIS DOCUMENT CONTAINS PROPRIETARY INFORMATION OF TEKA ILLUMINATION AND ITS RECEIPT OR POSSESSION DOES NOT CONVEY ANY RIGHTS TO REPRODUCE, DISCLOSE ITS CONTENTS, OR TO MANUFACTURE, USE OR SELL ANYTHING IT MAY DESCRIBE. REPRODUCTION, DISCLOSURE OR USE WITHOUT SPECIFIC WRITTEN AUTHORIZATION OF TEKA ILLUMINATION IS STRICTLY FORBIDDEN.



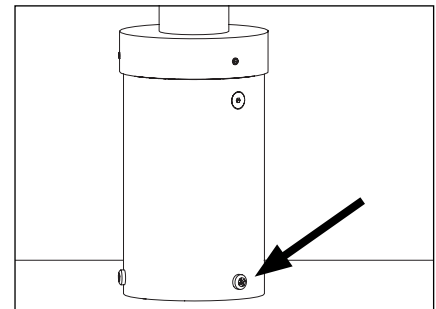
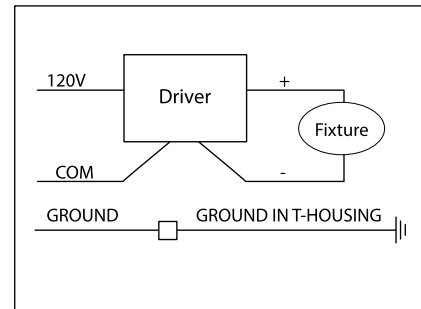
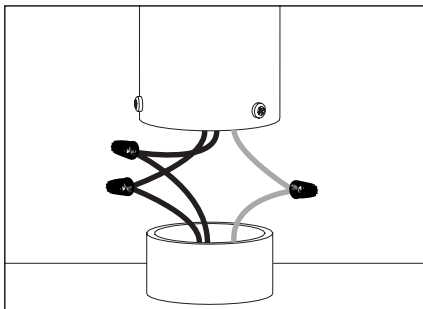
## Junction Box Integral Driver Installation



- Determine Soil Type by referencing DIG-IT Guide. Prep soil according to DIG-IT Guide.
- Dig hole 10" wide and 18" deep.
- Prep soil according to DIG-IT Guide.



- Excavate trench according to designed lighting plan. Dig hole a minimum of 24" deep and 10" wide to accommodate Power Pipe II™ at desired fixture locations.
- Connect conduit to the 3/4" conduit couplers attached to the bottom of the Power Pipe II™. Place Power Pipe II™ in hole.
- Back fill hole with soil and/or prep for concrete.
- Pull branch circuit wiring necessary for installation (By Others).



- Make waterproof connections from branch circuit wiring to integral driver primary side using waterproof wire connectors. Connect incoming ground wire to green fixture wire. See wiring diagram.
- Insert wires and connectors into Power Pipe™. Place fixture and cap on Power Pipe™.
- Tighten three (3) Phillips screws using a Phillips screwdriver.

**WIRING DIAGRAM**  
 ⚠ All line voltage connections must be made in accordance to NEC standards.

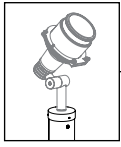
⚠ Failure to use waterproof wire connectors will cause fixture to fail and VOID PRODUCT WARRANTY.

**IMPORTANT SAFETY INFORMATION LISTED ON REVERSE  
 READ, FOLLOW, AND SAVE ALL SAFETY AND INSTALLATION INSTRUCTIONS**



<b>TEKA</b> ILLUMINATION	40429 Brickyard Drive • Madera, CA 93636 • USA 559.438.5800 • FAX 559.438.5900 www.tekaillumination.com • info@tekaillumination.com	RELEASE DATE 9-13-17	DRAWING NUMBER INS-2656-00
--------------------------	---	-------------------------	-------------------------------

THIS DOCUMENT CONTAINS PROPRIETARY INFORMATION OF TEKA ILLUMINATION AND ITS RECEIPT OR POSSESSION DOES NOT CONVEY ANY RIGHTS TO REPRODUCE, DISCLOSE ITS CONTENTS, OR TO MANUFACTURE, USE OR SELL ANYTHING IT MAY DESCRIBE. REPRODUCTION, DISCLOSURE OR USE WITHOUT SPECIFIC WRITTEN AUTHORIZATION OF TEKA ILLUMINATION IS STRICTLY FORBIDDEN.

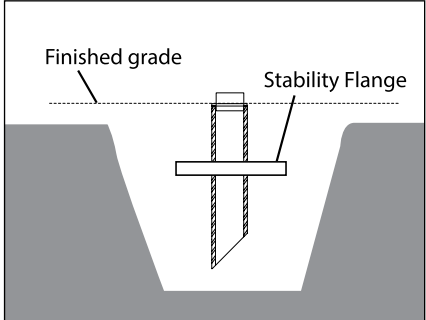


## Stake Integral Driver Installation

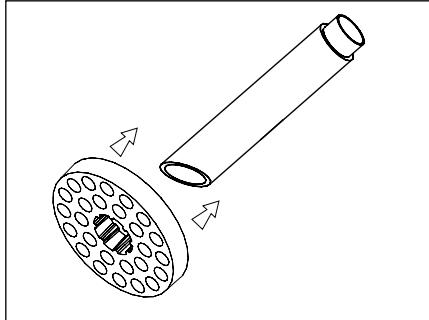
**DRIVER HOUSING MUST BE INSTALLED ABOVE GRADE. POWER PIPE™ IS LABELED AT GRADE LEVEL. DRIVER HOUSING INSTALLED BELOW GRADE WILL VOID WARRANTY**



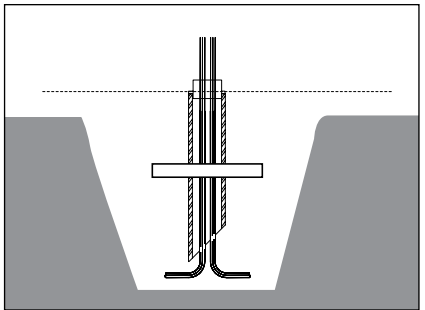
1. Determine Soil Type by referencing DIG-IT Guide. Prep soil according to DIG-IT Guide.



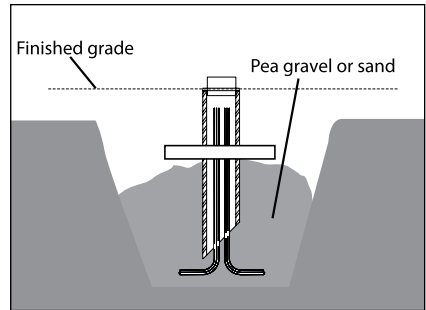
2. Excavate trench according to designed lighting plan. Dig hole a minimum of 24" deep and 10" wide to accommodate Power Pipe II™ at desired fixture locations.



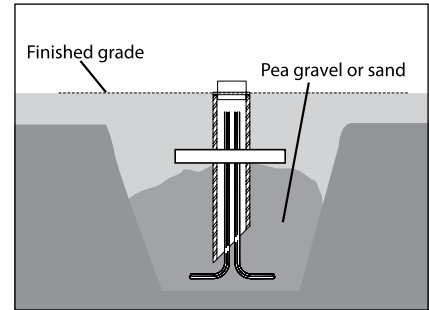
3. Slide Stability Flange onto Power Pipe II™. Use Stability Flange to aid in installation of Power Pipe II™.



4. Pull low voltage wiring from remote driver to Power Pipe II™. Allow for additional cable to make connections to fixture leads and future service. Place Power Pipe II™ in hole.

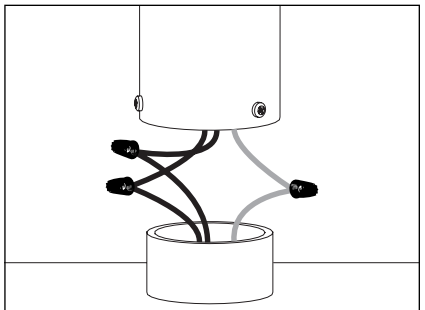


5. Back fill with pea gravel or sand prior to pour.

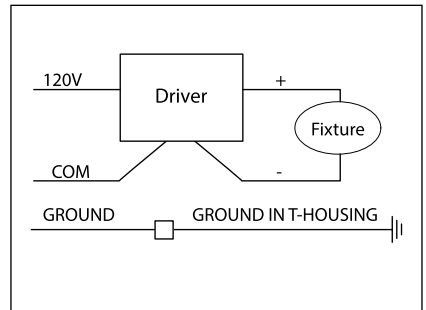


6. Pour concrete (By Others).

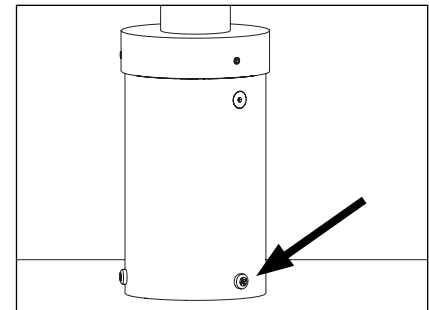
**! Label on Power Pipe II™ indicates installation depth with finished grade.**



7. Make waterproof connections from branch circuit wiring to integral driver primary side using waterproof wire connectors. Connect incoming ground wire to green fixture wire. **See wiring diagram.**



**WIRING DIAGRAM**  
**! All line voltage connections must be made in accordance to NEC standards.**



8. Insert wires and connectors into Power Pipe II™. Place fixture and cap on Power Pipe II™.  
9. Tighten three (3) Phillips screws using a Phillips screwdriver.

**! Failure to use waterproof wire connectors will cause fixture to fail and VOID PRODUCT WARRANTY.**

**IMPORTANT SAFETY INFORMATION LISTED ON REVERSE  
READ, FOLLOW, AND SAVE ALL SAFETY AND INSTALLATION INSTRUCTIONS**



<b>TEKA ILLUMINATION</b>	40429 Brickyard Drive • Madera, CA 93636 • USA 559.438.5800 • FAX 559.438.5900 www.tekaillumination.com • info@tekaillumination.com	RELEASE DATE 9-13-17	DRAWING NUMBER INS-2656-00
--------------------------	---	-------------------------	-------------------------------

THIS DOCUMENT CONTAINS PROPRIETARY INFORMATION OF TEKA ILLUMINATION AND ITS RECEIPT OR POSSESSION DOES NOT CONVEY ANY RIGHTS TO REPRODUCE, DISCLOSE ITS CONTENTS, OR TO MANUFACTURE, USE OR SELL ANYTHING IT MAY DESCRIBE. REPRODUCTION, DISCLOSURE OR USE WITHOUT SPECIFIC WRITTEN AUTHORIZATION OF TEKA ILLUMINATION IS STRICTLY FORBIDDEN.



## Installation



# POWER PIPE II™ SYSTEM



Warning



High Voltage



Hot Surface

### TOOLS REQUIRED:

- 3/16" & 5/64" Allen Wrench
- Waterproof Wire Connectors
- Phillips Screwdriver

### By Others

## IMPORTANT SAFETY INFORMATION - READ, FOLLOW, AND SAVE THESE INSTALLATION INSTRUCTIONS



**IMPORTANT - WEAR GLOVES TO AVOID GETTING FINGERPRINTS ON THIS PRODUCT. MANY TEKA ILLUMINATION PRODUCTS ARE DESIGNED TO NATURALLY PATINA. OILS FROM YOUR SKIN WILL ACCELERATE THIS PROCESS WHERE TOUCHED AND ARE NEARLY IMPOSSIBLE TO REMOVE. THIS PROCESS OCCURS OVER TIME AND IS DETERMINED BY THE INSTALLATION ENVIRONMENT.**

### INSTRUCTIONS PERTAINING TO A RISK OF FIRE, OR INJURY TO PERSONS IMPORTANT SAFETY INSTRUCTIONS

#### Lighted fixture is HOT!

#### WARNING - To reduce the risk of FIRE OR INJURY TO PERSONS:

Turn off/unplug and allow to cool before replacing LED. Fixture gets HOT quickly! Contact only switch/plug when turning on. Do not touch hot lens, guard, or enclosure. Keep fixture away from materials that may burn. Do not operate the luminaire fitting with a missing or damaged shield. Do not touch the source at any time. Use a soft cloth or gloves. Oil from skin may cause damage.

#### SAVE THESE INSTRUCTIONS

### IMPORTANT SAFETY INFORMATION - READ, FOLLOW, AND SAVE ALL SAFETY AND INSTALLATION INSTRUCTIONS

- Product must be installed by a qualified person in a manner consistent with its intended use and in compliance with the National Electrical Code, Canadian Electrical Code, and all Local and Provincial Codes.
- Follow product label information and instructions.
- Qualified Personnel with appropriate personal protective equipment must perform all servicing of this product.
- Before wiring to power supply and during servicing, turn off and lock out power at fuse or circuit breaker before service.
- The use of accessory equipment not recommended by the manufacturer or installed contrary to instructions may cause an unsafe condition. The use of damaged components may cause an unsafe condition and void product warranty.
- Do not block light emanating from product in whole or part, as this may cause an unsafe condition.
- Never operate the fixture with missing or damaged lens. Lens must be cleaned on regular basis.
- Entire fixture may become extremely hot. Do not touch hot lens or fixture body.
- Replace LED assembly only with correct wattage and type of power supply appropriate for LED assembly.
- All gaskets, o-rings and sealing surfaces must be kept clean during installation and service; failure to do this may cause an unsafe condition and void product warranty.

### IMPORTANT LISTINGS AND CERTIFICATIONS

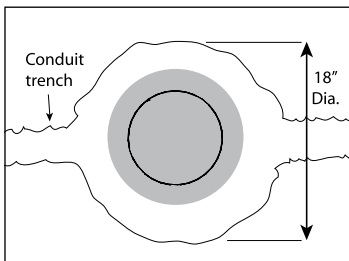
- Suitable for wet locations

Proper soil preparation is recommended before installation. See the DIG-IT guide at [www.tekaillumination.com/dig-it](http://www.tekaillumination.com/dig-it) for more information.

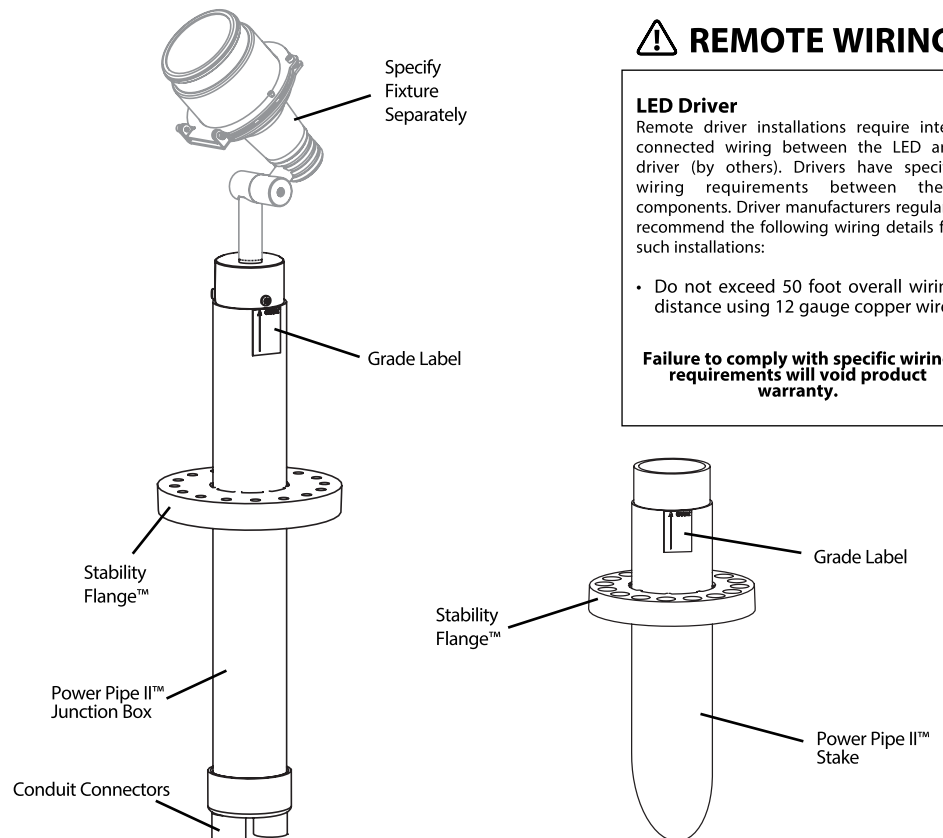
### Soil Prep



- A. Determine Soil Type by referencing DIG-IT Guide. Prep soil according to DIG-IT Guide.



- B. Excavate a hole to the necessary dimensions for fixture placement and conduit runs.



### REMOTE WIRING

#### LED Driver

Remote driver installations require interconnected wiring between the LED and driver (by others). Drivers have specific wiring requirements between these components. Driver manufacturers regularly recommend the following wiring details for such installations:

- Do not exceed 50 foot overall wiring distance using 12 gauge copper wire.

**Failure to comply with specific wiring requirements will void product warranty.**

## IMPORTANT SAFETY INFORMATION - READ, FOLLOW, AND SAVE THESE INSTALLATION INSTRUCTIONS

**TEKA** ILLUMINATION

40429 Brickyard Drive • Madera, CA 93636 • USA  
559.438.5800 • FAX 559.438.5900  
[www.tekaillumination.com](http://www.tekaillumination.com) • [info@tekaillumination.com](mailto:info@tekaillumination.com)

RELEASE DATE  
9-13-17

DRAWING NUMBER  
INS-2656-01

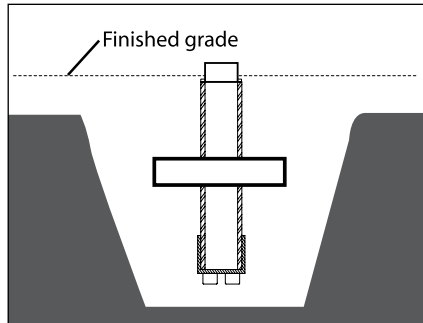
THIS DOCUMENT CONTAINS PROPRIETARY INFORMATION OF TEKA ILLUMINATION AND ITS RECEIPT OR POSSESSION DOES NOT CONVEY ANY RIGHTS TO REPRODUCE, DISCLOSE ITS CONTENTS, OR TO MANUFACTURE, USE OR SELL ANYTHING IT MAY DESCRIBE. REPRODUCTION, DISCLOSURE OR USE WITHOUT SPECIFIC WRITTEN AUTHORIZATION OF TEKA ILLUMINATION IS STRICTLY FORBIDDEN.



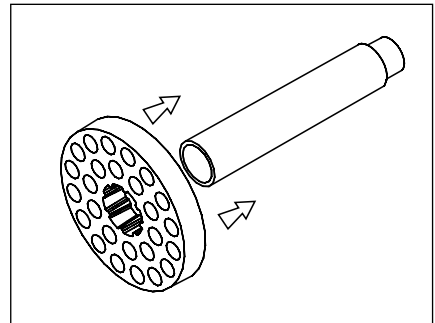
## Junction Box Remote Driver Installation



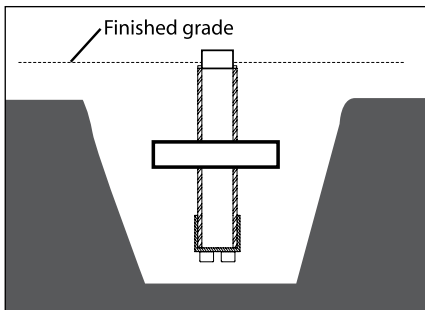
1. Determine Soil Type by referencing DIG-IT Guide. Prep soil according to DIG-IT Guide.



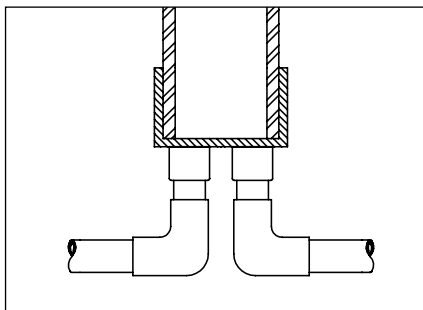
2. Excavate trench according to designed lighting plan. Dig hole a minimum of 24" deep and 10" wide to accommodate Power Pipe™ at desired fixture locations.



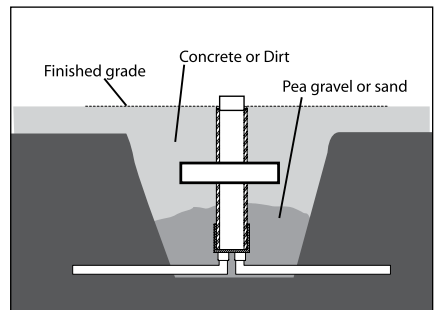
3. Slide Stability Flange onto Power Pipe™. Use Stability Flange to aid in installation of Power Pipe™.



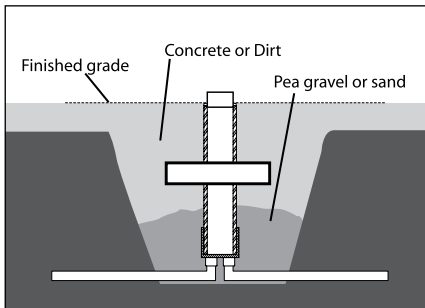
4. Pull secondary wiring from remote driver to Power Pipe™. Allow for additional cable to make connections to fixture lead, future service and stem length adjustment. Place Power Pipe™ in hole.



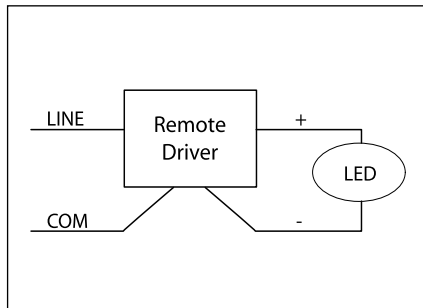
5. Connect conduit to the conduit couplers attached to the bottom of the Power Pipe™. Place Power Pipe™ in hole.



6. Back fill with pea gravel or sand prior to pour.

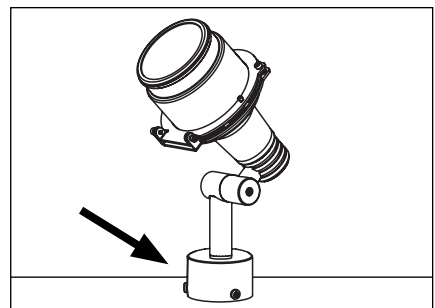


7. Pour concrete (By Others).



### WIRING DIAGRAM

8. Make waterproof connections from remote driver to fixture leads using supplied waterproof wire connectors. See wiring diagram.



9. Insert wires and connectors into Power Pipe™. Place fixture on Power Pipe™.

10. Tighten three (3) #10-32 set screws using Phillips screwdriver.

**⚠ Label on Power Pipe™ indicates installation depth with finished grade.**

**⚠ Failure to use waterproof wire connectors will cause fixture to fail and VOID PRODUCT WARRANTY.**

**IMPORTANT SAFETY INFORMATION LISTED ON REVERSE  
READ, FOLLOW, AND SAVE ALL SAFETY AND INSTALLATION INSTRUCTIONS**



<b>TEKA</b> ILLUMINATION	40429 Brickyard Drive • Madera, CA 93636 • USA 559.438.5800 • FAX 559.438.5900 www.tekaillumination.com • info@tekaillumination.com	RELEASE DATE 9-13-17	DRAWING NUMBER INS-2656-01
--------------------------	---	-------------------------	-------------------------------

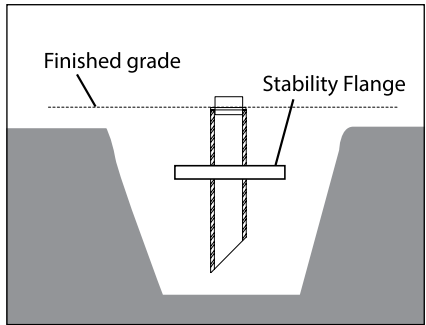
THIS DOCUMENT CONTAINS PROPRIETARY INFORMATION OF TEKA ILLUMINATION AND ITS RECEIPT OR POSSESSION DOES NOT CONVEY ANY RIGHTS TO REPRODUCE, DISCLOSE ITS CONTENTS, OR TO MANUFACTURE, USE OR SELL ANYTHING IT MAY DESCRIBE. REPRODUCTION, DISCLOSURE OR USE WITHOUT SPECIFIC WRITTEN AUTHORIZATION OF TEKA ILLUMINATION IS STRICTLY FORBIDDEN.



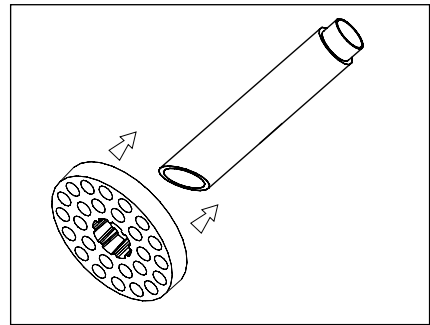
## Stake Remote Driver Installation



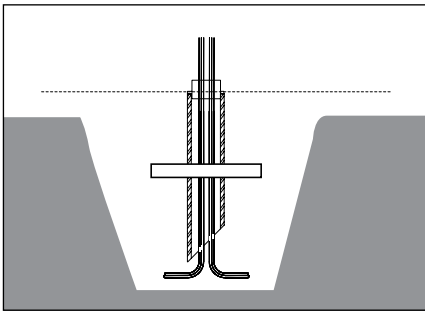
1. Determine Soil Type by referencing DIG-IT Guide. Prep soil according to DIG-IT Guide.



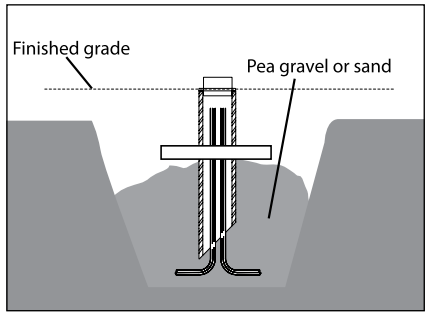
2. Excavate trench according to designed lighting plan. Dig hole a minimum of 24" deep and 10" wide to accommodate Power Pipe II™ at desired fixture locations.



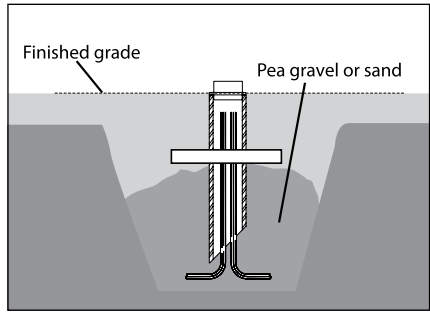
3. Slide Stability Flange onto Power Pipe II™. Use Stability Flange to aid in installation of Power Pipe II™.



4. Pull low voltage wiring from remote driver to Power Pipe II™. Allow for additional cable to make connections to fixture leads and future service. Place Power Pipe II™ in hole.

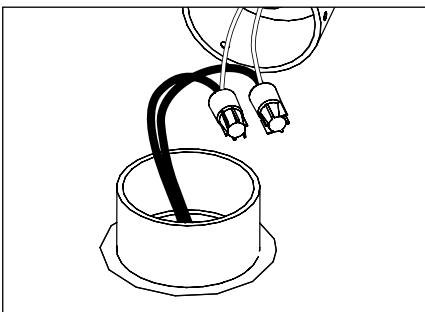


5. Back fill with pea gravel or sand prior to pour.

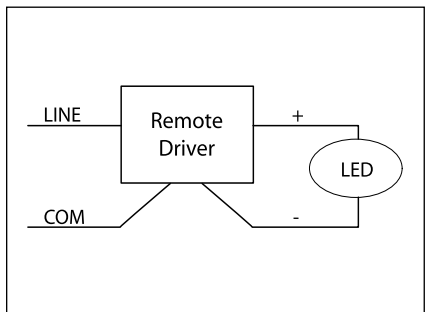


6. Pour concrete (By Others).

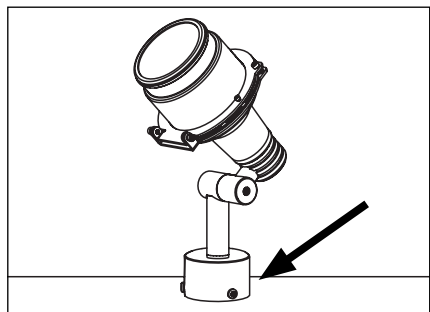
**⚠ Label on Power Pipe™ indicates installation depth with finished grade.**



7. Make waterproof connections from remote driver secondary side to fixture secondary leads using waterproof wire connectors. **See wiring diagram.**



**WIRING DIAGRAM**  
**⚠ Failure to use waterproof wire connectors will cause fixture to fail and VOID PRODUCT WARRANTY.**



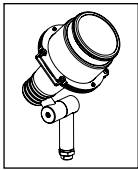
8. Insert wires and connectors into Power Pipe™. Place fixture and cap on Power Pipe™.  
9. Tighten three (3) Phillips screws using a Phillips screwdriver.

**IMPORTANT SAFETY INFORMATION LISTED ON REVERSE  
READ, FOLLOW, AND SAVE ALL SAFETY AND INSTALLATION INSTRUCTIONS**



<b>TEKA</b> ILLUMINATION	40429 Brickyard Drive • Madera, CA 93636 • USA 559.438.5800 • FAX 559.438.5900 www.tekaillumination.com • info@tekaillumination.com	RELEASE DATE 9-13-17	DRAWING NUMBER INS-2656-01
--------------------------	---	-------------------------	-------------------------------

THIS DOCUMENT CONTAINS PROPRIETARY INFORMATION OF TEKA ILLUMINATION AND ITS RECEIPT OR POSSESSION DOES NOT CONVEY ANY RIGHTS TO REPRODUCE, DISCLOSE ITS CONTENTS, OR TO MANUFACTURE, USE OR SELL ANYTHING IT MAY DESCRIBE. REPRODUCTION, DISCLOSURE OR USE WITHOUT SPECIFIC WRITTEN AUTHORIZATION OF TEKA ILLUMINATION IS STRICTLY FORBIDDEN.



# LIBERTY FLOODLIGHT™ (LBF)



Warning



Hot Surface



Wear Gloves



Low Voltage

NEEDED FOR INSTALLATION:



5/32" Allen Wrench



Waterproof Wire Connectors



Gloves

By Others

## IMPORTANT SAFETY INFORMATION - READ, FOLLOW, AND SAVE THESE INSTALLATION INSTRUCTIONS



**IMPORTANT - WEAR GLOVES TO AVOID GETTING FINGERPRINTS ON THIS PRODUCT. MANY TEKA ILLUMINATION PRODUCTS ARE DESIGNED TO NATURALLY PATINA. OILS FROM YOUR SKIN WILL ACCELERATE THIS PROCESS WHERE TOUCHED AND ARE NEARLY IMPOSSIBLE TO REMOVE. THIS PROCESS OCCURS OVER TIME AND IS DETERMINED BY THE INSTALLATION ENVIRONMENT.**

### INSTRUCTIONS PERTAINING TO A RISK OF FIRE, OR INJURY TO PERSONS IMPORTANT SAFETY INSTRUCTIONS

**Lighted fixture is HOT!**

**WARNING - To reduce the risk of FIRE OR INJURY TO PERSONS:**

Turn off/unplug and allow to cool before replacing LED. Fixture gets HOT quickly! Contact only switch/plug when turning on. Do not touch hot lens, guard, or enclosure. Keep fixture away from materials that may burn. Do not operate the luminaire fitting with a missing or damaged shield. Do not touch the source at any time. Use a soft cloth or gloves. Oil from skin may cause damage.

**SAVE THESE INSTRUCTIONS**

### IMPORTANT SAFETY INFORMATION - READ, FOLLOW, AND SAVE ALL SAFETY AND INSTALLATION INSTRUCTIONS

- Product must be installed by a qualified person in a manner consistent with its intended use and in compliance with the National Electrical Code, Canadian Electrical Code, and all Local and Provincial Codes.
- Follow product label information and instructions.
- Qualified Personnel with appropriate personal protective equipment must perform all servicing of this product.
- Before wiring to power supply and during servicing, turn off and lock out power at fuse or circuit breaker before service.
- The use of accessory equipment not recommended by the manufacturer or installed contrary to instructions may cause an unsafe condition. The use of damaged components may cause an unsafe condition and void product warranty.

- Do not block light emanating from product in whole or part, as this may cause an unsafe condition.
- Never operate the fixture with missing or damaged lens. Lens must be cleaned on regular basis.
- Entire fixture may become extremely hot. Do not touch hot lens or fixture body.
- Replace LED assembly only with correct wattage and type of power supply appropriate for LED assembly.
- All gaskets, o-rings and sealing surfaces must be kept clean during installation and service; failure to do this may cause an unsafe condition and void product warranty.

### IMPORTANT LISTINGS AND CERTIFICATIONS

- Suitable for wet locations

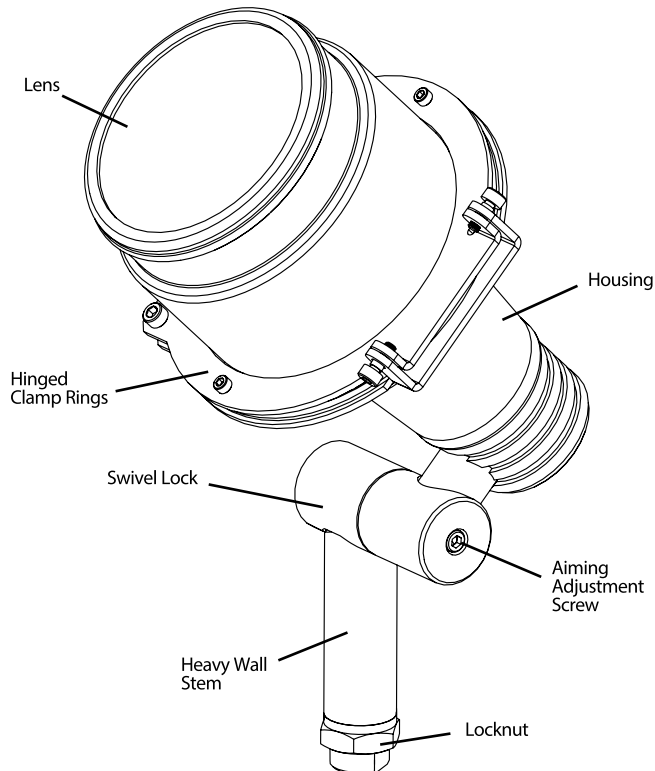
## REMOTE WIRING

### LED Driver

Remote driver installations require inter-connected wiring between the LED and driver (by others). Drivers have specific wiring requirements between these components. Driver manufacturers regularly recommend the following wiring details for such installations:

- Do not exceed 50 foot overall wiring distance using 12 gauge copper wire.

**Failure to comply with specific wiring requirements will void product warranty.**



## IMPORTANT SAFETY INFORMATION - READ, FOLLOW, AND SAVE THESE INSTALLATION INSTRUCTIONS

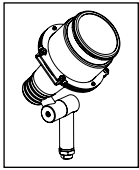
**TEKA** ILLUMINATION

40429 Brickyard Drive • Madera, CA 93636 • USA  
559.438.5800 • FAX 559.438.5900  
www.tekaillumination.com • info@tekaillumination.com

RELEASE DATE  
8-14-17

REFERENCE NUMBER  
INS-2615-00

THIS DOCUMENT CONTAINS PROPRIETARY INFORMATION OF TEKA ILLUMINATION AND ITS RECEIPT OR POSSESSION DOES NOT CONVEY ANY RIGHTS TO REPRODUCE, DISCLOSE ITS CONTENTS, OR TO MANUFACTURE, USE OR SELL ANYTHING IT MAY DESCRIBE. REPRODUCTION, DISCLOSURE OR USE WITHOUT SPECIFIC WRITTEN AUTHORIZATION OF TEKA ILLUMINATION IS STRICTLY FORBIDDEN.



**3K55L**  
SOLID STATE LIGHTING

THE POWER OF

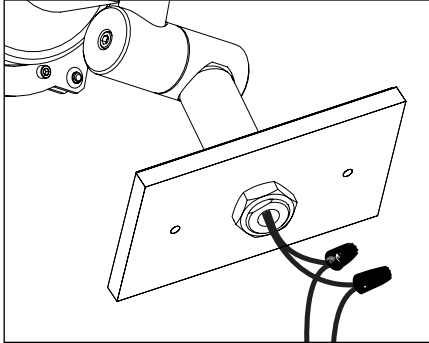


# LIBERTY FLOODLIGHT™ (LBF)

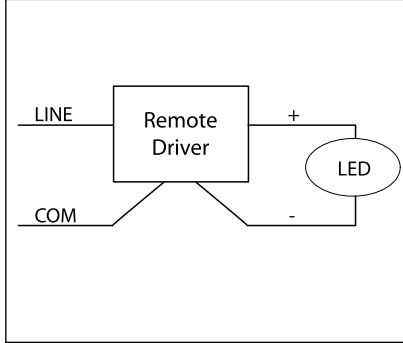


**Must install to a suitable enclosure.**

## Standard Fixture Installation



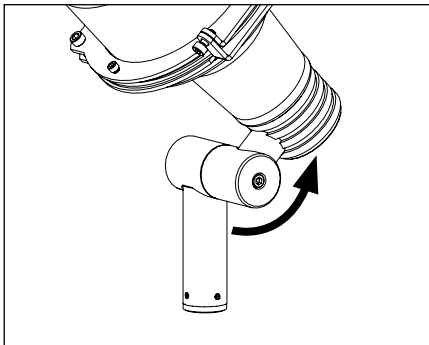
1. Mount fixture onto suitable enclosure according to designed lighting plan. Use locknut to secure.



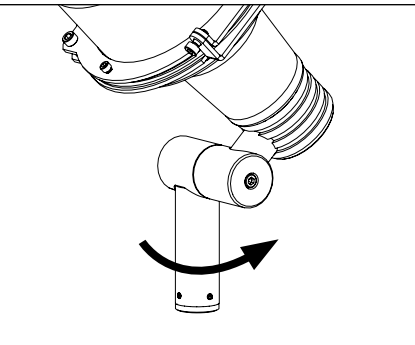
### WIRING DIAGRAM

2. Make watertight connections from remote driver to fixture leads using waterproof wire connectors (By Others). **See wiring diagram.**

## Aiming



1. To aim vertically, loosen the lamp head adjustment screw using a 5/32" Allen wrench, adjust as needed, then secure aiming position by tightening lamp head adjustment screw.



2. To aim horizontally, loosen two (2) #8-32 set screws using 5/64" Allen wrench. Adjust horizontal aim, then secure aiming position by tightening set screws.

**⚠ Do not rotate more than 360 degrees to avoid wire damage.**

**⚠ Do not rotate more than 360 degrees to avoid wire damage.**

**IMPORTANT SAFETY INFORMATION LISTED ON REVERSE  
READ, FOLLOW, AND SAVE ALL SAFETY AND INSTALLATION INSTRUCTIONS**



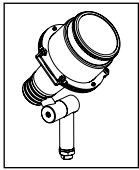
**TEKA** ILLUMINATION

40429 Brickyard Drive • Madera, CA 93636 • USA  
559.438.5800 • FAX 559.438.5900  
www.tekailumination.com • info@tekailumination.com

RELEASE DATE  
8-14-17

REFERENCE NUMBER  
INS-2615-00





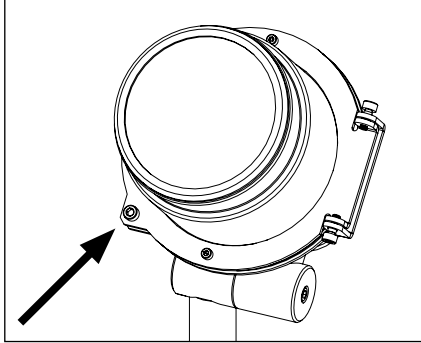
THE POWER OF



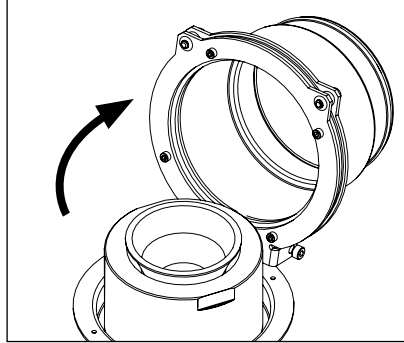
# LIBERTY FLOODLIGHT™ (LBF)



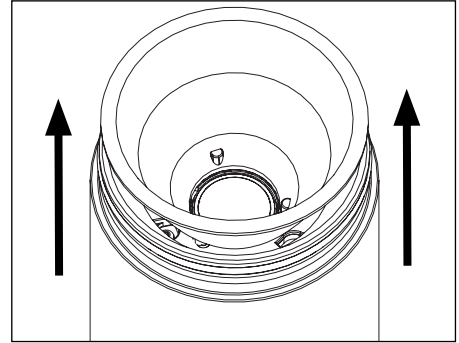
**This product is available with field replaceable components. Exclusive interchangeable OPTIKITS and modular LED components with quick disconnects simplifies upgrades and maintenance when necessary.**



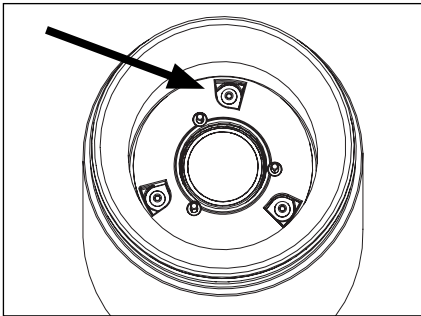
1. Loosen two (2) captive screws on stainless steel clamp rings using 5/32" Allen wrench until the screws disengage from back plate.



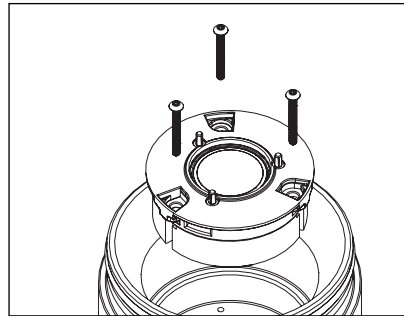
2. Swing lens assembly open.



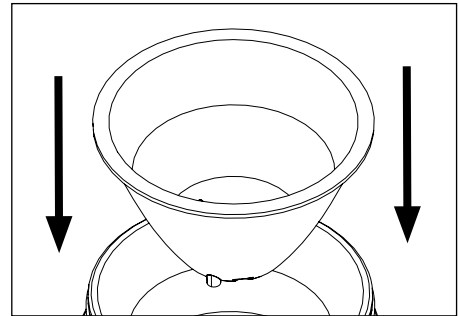
3. Remove optic by pulling gently and lift up.



4. Use .050" Allen wrench to loosen three (3) set screws holding optic holder and LED module.

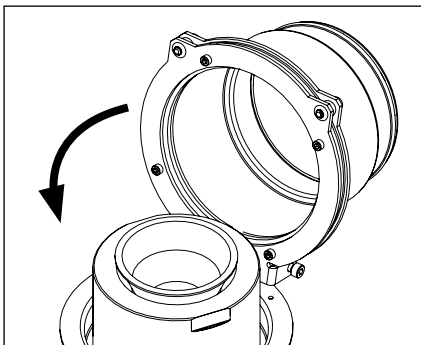


5. Gently lift LED module and disconnect from fixture. Install new LED module. Secure set screws through LED module and optic holder using .050" Allen wrench.

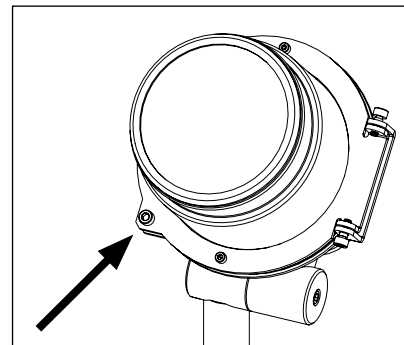


6. Replace optic by lining tabs with optic holder, then pressing down gently until secured into place.

**⚠ Do not pull on connector or wiring. Handle with care.**



7. Close swing assembly.



8. Tighten two (2) captive screws on stainless steel clamp rings using 5/32" Allen wrench. Do not overtighten.

**IMPORTANT SAFETY INFORMATION LISTED ON REVERSE  
READ, FOLLOW, AND SAVE ALL SAFETY AND INSTALLATION INSTRUCTIONS**



**TEKA** ILLUMINATION

40429 Brickyard Drive • Madera, CA 93636 • USA  
559.438.5800 • FAX 559.438.5900  
www.tekaillumination.com • info@tekaillumination.com

RELEASE DATE  
8-14-17

REFERENCE NUMBER  
INS-2615-00