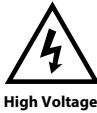


NEMA 3R Remote Power Supply Solid State LED



Installation Instructions



NEEDED FOR INSTALLATION:



1/8" Allen Wrench
Phillips Screwdriver
Level
Hammer
Mounting Hardware

By Others

INSTRUCTIONS PERTAINING TO A RISK OF FIRE, OR INJURY TO PERSONS IMPORTANT SAFETY INSTRUCTIONS

Lighted fixture is HOT!

WARNING - To reduce the risk of FIRE OR INJURY TO PERSONS:

Turn off/unplug and allow to cool before replacing LED. Fixture gets HOT quickly! Contact only switch/plug when turning on. Do not touch hot lens, guard, or enclosure. Keep fixture away from materials that may burn. Do not operate the luminaire fitting with a missing or damaged shield. Do not touch the source at any time. Use a soft cloth or gloves. Oil from skin may cause damage.

SAVE THESE INSTRUCTIONS

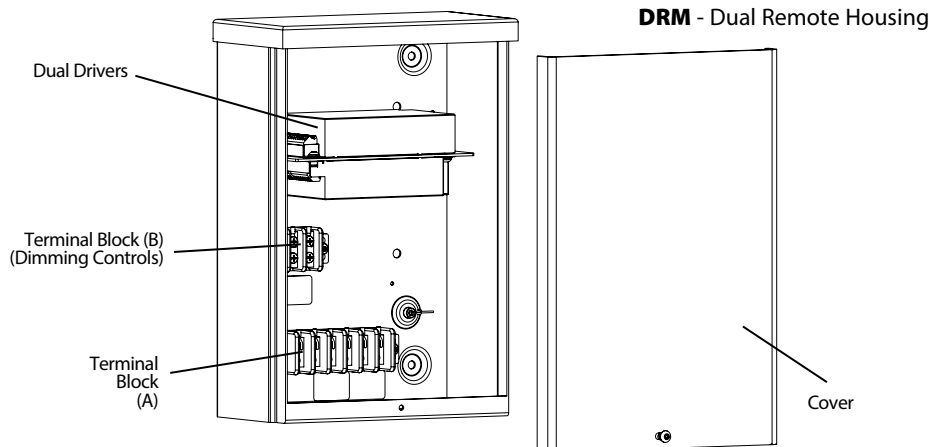
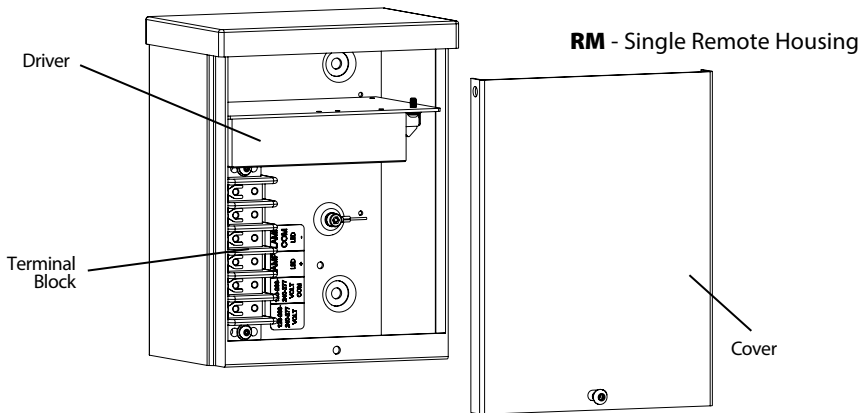
IMPORTANT SAFETY INFORMATION - READ, FOLLOW, AND SAVE ALL SAFETY AND INSTALLATION INSTRUCTIONS

- Product must be installed by a qualified person in a manner consistent with its intended use and in compliance with the National Electrical Code, Canadian Electrical Code, and all Local and Provincial Codes.
- Follow product label information and instructions.
- Qualified Personnel with appropriate personal protective equipment must perform all servicing of this product.
- Before wiring to power supply and during servicing, turn off and lock out power at fuse or circuit breaker before service.
- The use of accessory equipment not recommended by the manufacturer or installed contrary to instructions may cause an unsafe condition. The use of damaged components may cause an unsafe condition and void product warranty.

- Do not block light emanating from product in whole or part, as this may cause an unsafe condition.
- Never operate the fixture with missing or damaged lens. Lens must be cleaned on regular basis.
- Entire fixture may become extremely hot. Do not touch hot lens or fixture body.
- Replace LED assembly only with correct wattage and type of power supply appropriate for LED assembly.
- All gaskets, o-rings and sealing surfaces must be kept clean during installation and service; failure to do this may cause an unsafe condition and void product warranty.

IMPORTANT LISTINGS AND CERTIFICATIONS

- Suitable for wet locations



⚠ REMOTE WIRING

LED Driver

Remote driver installations require inter-connected wiring between the LED and driver (by others). Drivers have specific wiring requirements between these components. Driver manufacturers regularly recommend the following wiring details for such installations:

- Do not exceed 50 foot overall wiring distance using 12 gauge copper wire.

Failure to comply with specific wiring requirements will void product warranty.

IMPORTANT SAFETY INFORMATION - READ, FOLLOW, AND SAVE THESE INSTALLATION INSTRUCTIONS

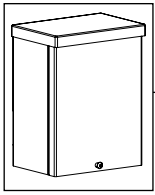
TEKA ILLUMINATION

40429 Brickyard Drive • Madera, CA 93636 • USA
559.438.5800 • FAX 559.438.5900
www.tekaillumination.com • info@tekaillumination.com

RELEASE DATE
12-8-17

REFERENCE NUMBER
INS-2699-00

THIS DOCUMENT CONTAINS PROPRIETARY INFORMATION OF TEKA ILLUMINATION, INC. AND ITS RECEIPT OR POSSESSION DOES NOT CONVEY ANY RIGHTS TO REPRODUCE, DISCLOSE ITS CONTENTS, OR TO MANUFACTURE, USE OR SELL ANYTHING IT MAY DESCRIBE. REPRODUCTION, DISCLOSURE OR USE WITHOUT SPECIFIC WRITTEN AUTHORIZATION OF TEKA ILLUMINATION, INC. IS STRICTLY FORBIDDEN.

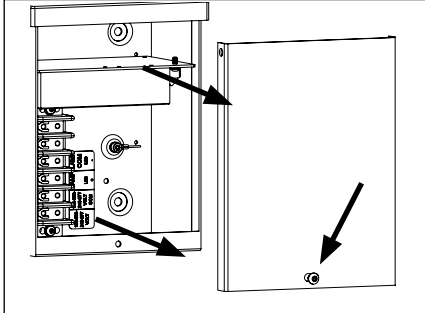


NEMA 3R Remote Power Supply Solid State LED

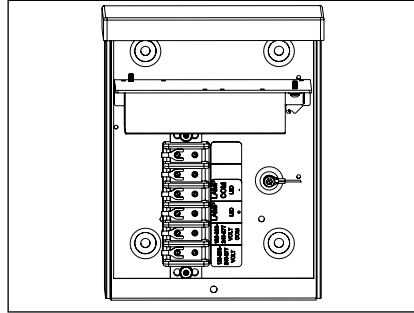


Installation Instructions

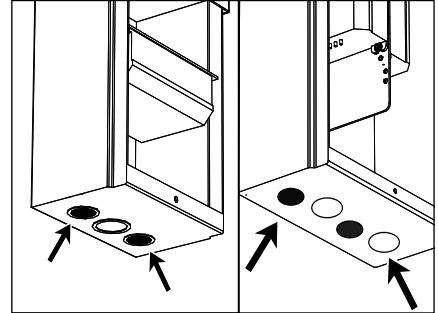
Housing Installation



1. Remove cover by removing #10-24 cover screw using a 1/8" Allen wrench.



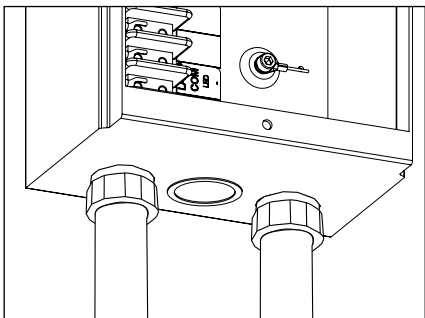
2. Attach the NEMA 3R housing at mounting holes with 1/4" fasteners (By Others). Use suitable mounting hardware for surface. Use level to ensure a level install.



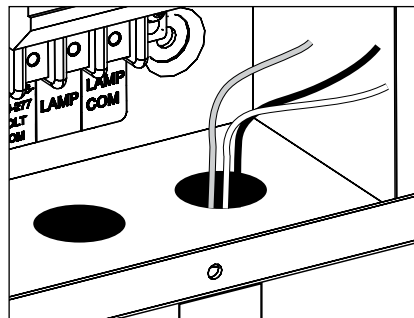
3. Remove Knockout(s) with hammer as needed from the NEMA 3R housing. Leave remaining unused knockouts in place to maintain seal.

⚠ NOTE: Many methods exist to bolt to a flat surface. The housing is provided with mounting brackets with 1/4" holes.

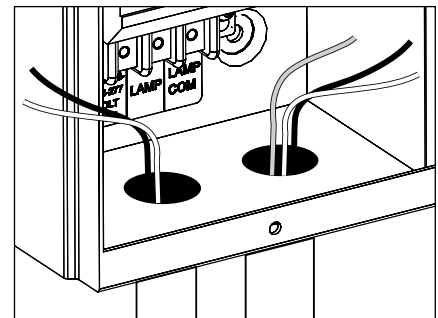
Single Remote Driver with Dimming Controls



4. Connect conduit connector through female threaded conduit entry.



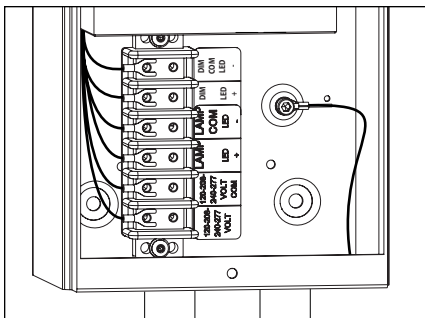
5. Pull branch circuit wiring necessary for installation (By Others). Pull dimming control wiring necessary for installation (By Others).



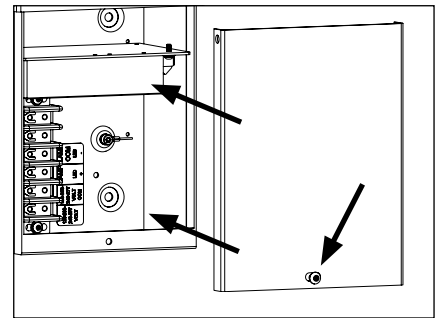
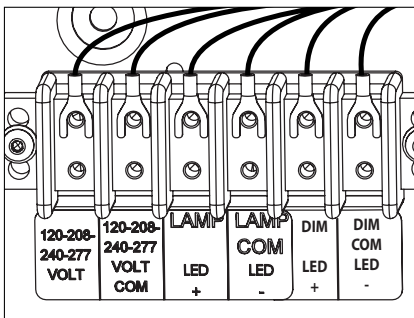
6. Pull secondary lamp leads necessary for installation through dedicated conduit. (By Others).

⚠ NOTE: Surface conduit is a common entrance for water if not properly sealed. Seal connector threads and conduit with a suitable sealant (Teflon tape, adhesive, etc.). Sealing the conduit after knockouts are removed is required to maintain warranty.

⚠ NOTE: Failure to comply with specific wiring requirements will void product warranty.



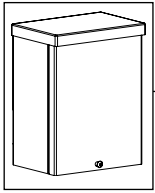
7. Connect branch circuit to terminal block. Connect incoming ground to ground wire provided on NEMA 3R housing. Connect secondary lamp leads to terminal. See labels on terminal block for additional information.



8. Re-attach cover. Tighten cover screw.

**IMPORTANT SAFETY INFORMATION LISTED ON REVERSE
READ, FOLLOW, AND SAVE ALL SAFETY AND INSTALLATION INSTRUCTIONS**



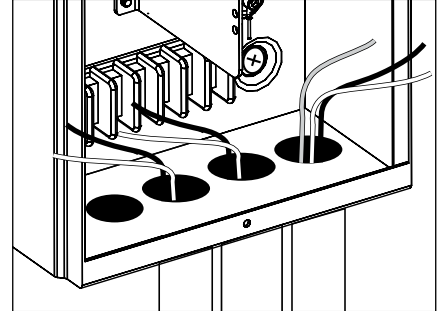
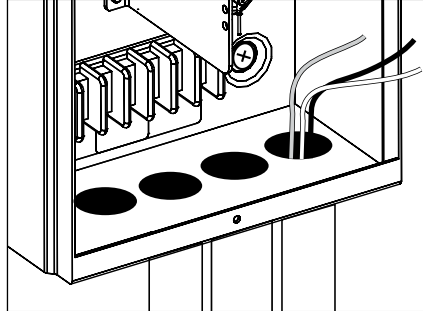
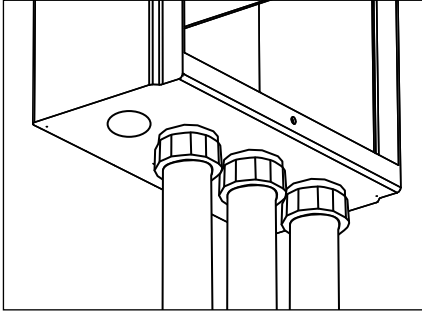


Installation Instructions



NEMA 3R Remote Power Supply Solid State LED

Dual Remote Driver with Dimming Controls



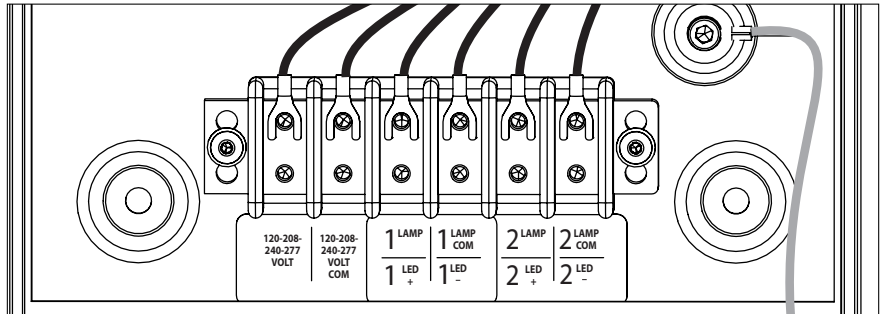
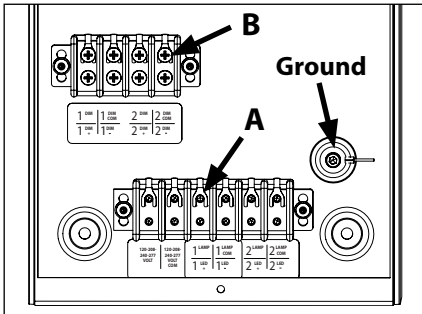
4. Connect conduit connector through female threaded conduit entry.

5. Pull branch circuit wiring necessary for installation (By Others). Pull dimming control wiring necessary for installation (By Others).

6. Pull secondary lamp leads necessary for installation through dedicated conduit. (By Others).

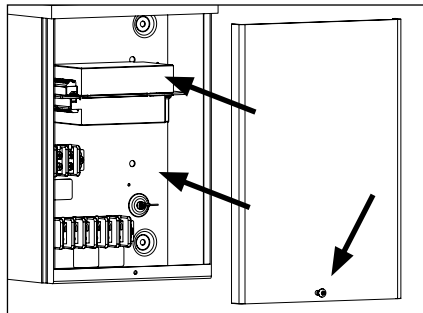
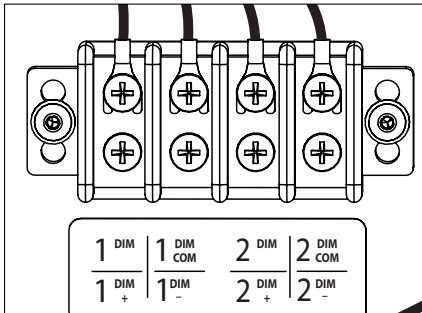
⚠ NOTE: Surface conduit is a common entrance for water if not properly sealed. Seal connector threads and conduit with a suitable sealant (Teflon tape, adhesive, etc.). Sealing the conduit after knockouts are removed is required to maintain warranty.

⚠ NOTE: Failure to comply with specific wiring requirements will void product warranty.



7. Terminal A is for circuit branch wiring and fixture leads. Terminal B is for dimming controls. The grounding screw is located to the upper right of terminal A.

8. **Terminal Block A** - Connect branch circuit to terminal block. Connect incoming ground to ground wire provided on NEMA 3R housing. Connect secondary lamp leads to terminal A. See labels on terminal block for additional information.



9. **Terminal Block B** - Connect incoming dimming controls to terminal block. See labels on terminal block for additional information.

10. Re-attach cover. Tighten cover screw.

**IMPORTANT SAFETY INFORMATION LISTED ON REVERSE
READ, FOLLOW, AND SAVE ALL SAFETY AND INSTALLATION INSTRUCTIONS**

