

DATE:	PROJECT:	TYPE:
-------	----------	-------

CATALOG NUMBER LOGIC:



Driver Housing Required. Configure and Price Separately.

**Accommodates up to 2 lens/shielding media.*

CATALOG NUMBER LOGIC

Example: LBF - 6 - LED - x64 - WFL - SAP - 12 - 11 - A

MATERIAL

(Blank) - Aluminum C - Copper

SERIES

LBF - Liberty Floodlight

STEM LENGTH (specify inches)

3" (Standard), 6", 12", 18", 24", or 30"

SOURCE

LED - Chip on Board Technology

LED TYPE

x64 - 27W LED/2700K x65 - 27W LED/3000K x66 - 27W LED/4000K

OPTICS

SP - Narrow Spot (15°) FL - Flood (35°) WFL - Wide Flood (60°)

FINISH (See page 2 for full-color swatches)

Standard Finishes (BZP, BZW, BLP, BLW, WHP, WHW, SAP, VER)

Premium Finish (ABP, AMG, AQW, BCM, BGE, BPP, CAP, CMG, CRM, HUG, NBP, OCP, RMG, SDS, SMG, TXF, WCP, WIR)

Also available in RAL Finishes

Copper Finishes (NAT, BP, GP)

LENS TYPE*

9 - Clear (Standard)

10 - Spread 12 - Soft Focus 13 - Rectilinear

SHIELDING*

11 - Honeycomb Baffle

CAP STYLE

A - 45°

B - 90°

C - Flush

D - 45° Less Weephole (Interior Use Only)

E - 90° Less Weephole (Interior Use Only)

OPTION

CLR - Clear Coat Protection (Available on NAT finish only)

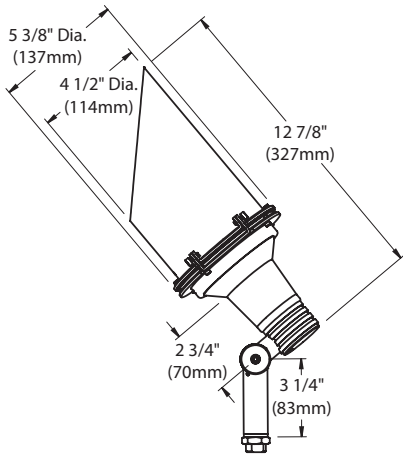
DATE:

PROJECT:

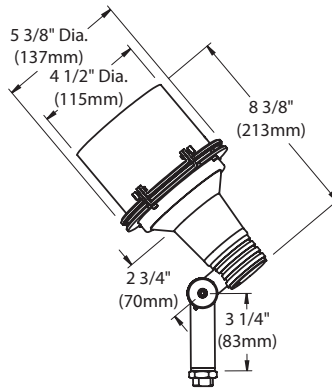
TYPE:

SIDE VIEW

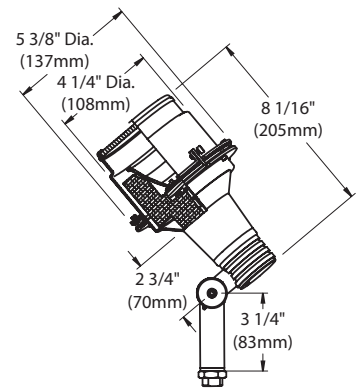
(Shown with **Cap Styles A/D - 45°**)



(Shown with **Cap Styles B/E - 90°**)



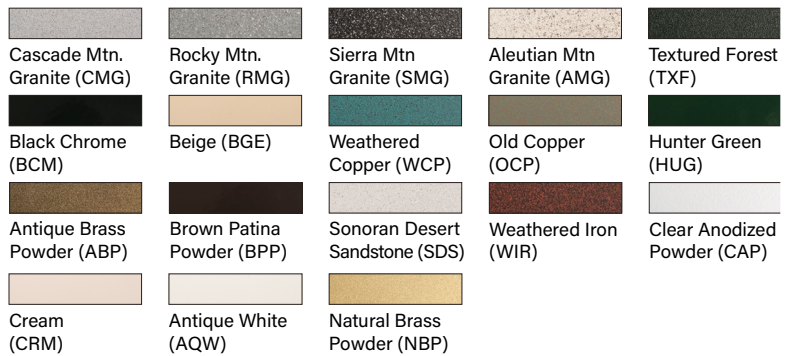
(Shown with **Cap Style C - Flush**)



STANDARD FINISHES



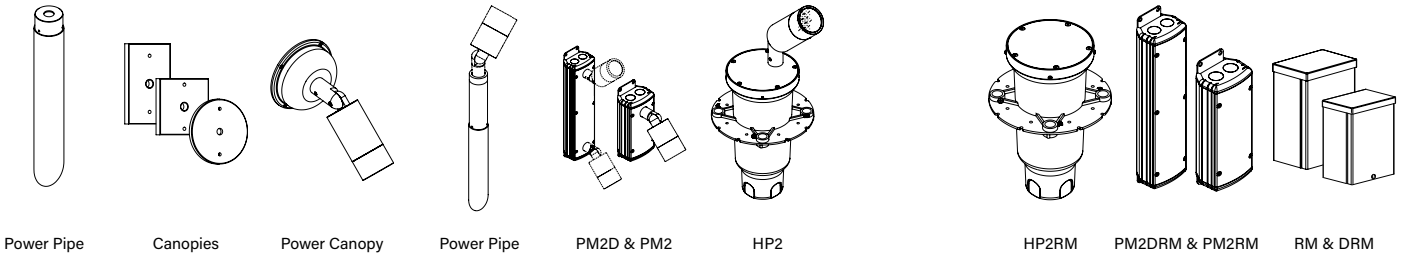
PREMIUM FINISHES



[Click Here](#) to view larger, full-color swatches of all available finishes on our website.

DATE: _____ PROJECT: _____ TYPE: _____

ACCESSORIES (Configure separately)



SPECIFICATIONS

<p>ELECTRICAL</p>	<p>WATTAGE LED WIRING REMOTE DRIVER</p>	<p>27W LED</p> <p>Integrated LED system with 'X' technology is scalable for field upgrade. Modular design with electrical quick disconnects permit field maintenance. High power, forward throw source complies with ANSI C78.377 binning requirements. Exceeds ENERGY STAR® lumen maintenance requirements. LM-80 certified components. LM-80 certified. Minimum 50,000 hour rated life at 70% of initial lumens (L70). BKSSL technology provides long life, significant energy reduction and exceptional thermal management.</p> <p>XLPE coated 18AWG, 600V, 150°C rated and certified to UL 1659 standard.</p> <p>For use with remote LED driver. See remote driver submittal to determine remote distance and wiring requirements prior to detailing field installation of any remote wiring.</p>
<p>PHYSICAL</p>	<p>MATERIALS BODY KNUCKLE CAP LENS STEM INSTALLATION OPTICS FINISH WARRANTY LISTINGS</p>	<p>Copper and Brass: Constructed from copper and brass. These enduring metals are inherently corrosion resistant. Aluminum: Constructed from Copper-Free aluminum (Type 6061-T6).</p> <p>Hand spun from high purity, solid copper plate. High temperature, silicone 'O' Ring provides water tight seal. Machined from 6061-T6 Aluminum or 360 Brass.</p> <p>Machined from 6061-T6 Aluminum or 360 Brass. Lamp head adjustment lock screw. High temperature, silicone 'O' Ring provides water-tight seal and compressive resistance to maintain fixture position.</p> <p>Hand spun from high purity, 14GA ASTM 3003-H14 Aluminum with 10GA ASTM 3003-H14 Aluminum Brackets or 16GA ASTM C101 Copper with 12GA AISI 304 Stainless Steel Brackets. Lens alignment lock screws allow for precision adjustment without the redundant opening of the fixture.</p> <p>Shock resistant, tempered, boro silicate glass lens is factory adhered to fixture cap and provides hermetically sealed optical compartment.</p> <p>Machined from heavy wall 1"OD 6061-T6 Extruded Aluminum Tube or 1/8" Wall 330 Extruded Brass Tube.</p> <p>Machined 1/2" NPSM adaptor for mounting to suitable enclosure.</p> <p>Interchangeable OPTIKIT modules permit field changes to optical distribution.</p> <p>Copper and Brass: Natural (NAT): Copper and brass components are sand blasted to expose the porous metal surface. Over time, and with exposure to the elements, the metals will naturally 'weather' resulting in a unique patina. Also available with hand-crafted metal finishes including brown patina (BP), green patina (GP), and polish (POL).</p> <p>Copper and brass components are also available in powder coat finishes.</p> <p>Optional ceramic clear coat protection (copper and brass components only) seals and protects underlying metals and protects against discoloration, fading, and wear. Highly impervious to chemicals, solvents, and graffiti. For use with natural (NAT) finish.</p> <p>Aluminum: StarGuard®, our exclusive RoHs compliant, 15 stage chromate-free process cleans and conversion coats aluminum components prior to application of Class 'A' TGIC polyester powder coating.</p> <p>5 year limited warranty.</p> <p>UL tested to IESNA LM-79. UL Listed. Certified to CAN/CSA/ANSI Standards. RoHs compliant. Suitable for indoor or outdoor use. Suitable for use in wet locations. Additionally suitable for installation within 4' of the ground. IP66 Rated. Made in USA.</p>



LAMP & DRIVER DATA

DATE: _____ PROJECT: _____ TYPE: _____

DRIVER DATA

Input Volts	AC Input Range	Frequency Hz	Power Factor At Full Load (Efficiency)	THD	InRush Current	Operatin Current	Operation Ambient Temperature	Dimmer Type	Dimmer Range
D27INC	100-277VAC	700mA	>0.90	≤20%	<10A MAX @ 120VAC	700mA	-30° C ~ 60°C (-22° F ~ 140°F)	Incandescent	10-100%

LM79 DATA

LM70 DATA

OPTICAL DATA

TEKA LED #	CCT (Typ.)	CRI (Typ.)	Input Watts (Typ.)	Minimum Rated Life (hrs.) 70% of initial lumens (L70)	Angle	CBCP	Delivered Lumens
x64	2700K	80	27W	50,000	15°	17591	2310
x64	2700K	80	27W	50,000	35°	4799	2066
x64	2700K	80	27W	50,000	60°	1738	1981
x65	3000K	80	27W	50,000	15°	18502	2430
x65	3000K	80	27W	50,000	35°	5048	2173
x65	3000K	80	27W	50,000	60°	1828	2084
x66	4000K	80	27W	50,000	15°	18939	2487
x66	4000K	80	27W	50,000	35°	5167	2224
x66	4000K	80	27W	50,000	60°	1871	2133

OPTICS

Optic	Angle	Visual Indicator
Spot	15°	Green
Flood	35°	Yellow
Wide Flood	60°	Blue

CHIP ON BOARD TECHNOLOGY

DATE:

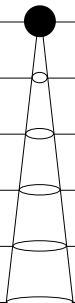
PROJECT:

TYPE:

SPOT : 15°

Footcandles

Distance	Beam Dia.	e64 2700K	e65 3000K	e66 4000K
4'	1'	1088	1147	1170
8'	2'	273	287	293
12'	3'	121	127	130
16'	4'	68	72	73
20'	5'	44	46	47

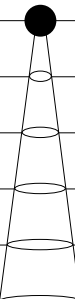


If using No. 11 Honeycomb Baffle, multiply footcandle values by .80.

FLOOD : 35°

Footcandles

Distance	Beam Dia.	e64 2700K	e65 3000K	e66 4000K
4'	3'	300	317	323
8'	6'	75	79	81
12'	8'	33	35	36
16'	11'	19	20	20
20'	14'	12	13	13

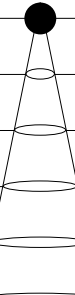


If using No. 11 Honeycomb Baffle, multiply footcandle values by .80.

WIDE FLOOD : 60°

Footcandles

Distance	Beam Dia.	e64 2700K	e65 3000K	e66 4000K
4'	5'	109	115	117
8'	9'	27	29	29
12'	14'	12	13	13
16'	19'	7	7	7
20'	24'	4	5	5



If using No. 11 Honeycomb Baffle, multiply footcandle values by .80.

DATE:	PROJECT:	TYPE:
-------	----------	-------

CATALOG NUMBER LOGIC:



CATALOG NUMBER LOGIC

Example: B - HP2 - D27INC - SAP - MT - GM-R

MATERIAL

(Blank) - Aluminum B - Brass

SERIES

HP2RM - Remote In-grade (Flush)

DRIVER TYPE*

D27INC - 27W Dimming Driver

FINISH (See page 7 for full-color swatches)**

Standard Finishes (BZP, BZW, BLP, BLW, WHP, WHW, SAP, VER)

Premium Finish (ABP, AMG, AQW, BCM, BGE, BPP, CAP, CMG, CRM, HUG, NBP, OCP, RMG, SDS, SMG, TXF, WCP, WIR)

(Also available in RAL Finishes. See submittal SUB-1439-00)

Brass Finishes (MAC, POL, MIT)

INPUT VOLTAGE

MT - 120-277 VAC

OPTIONS

GM-R - Round Grout Mask

GM-S - Square Grout Mask

**Driver wattage must match fixture wattage.*

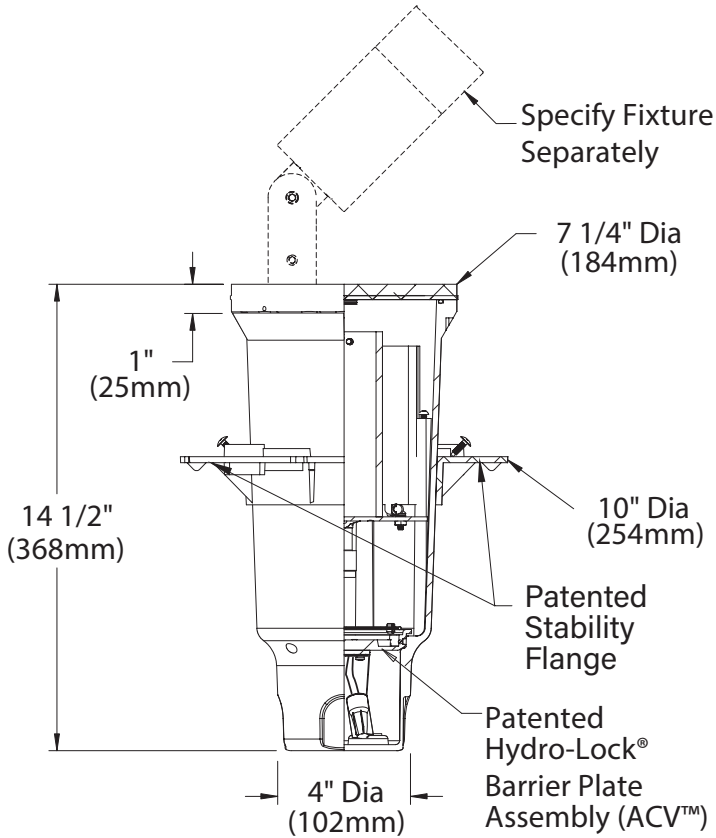
***Finish color will match fixture finish color.*

DATE:

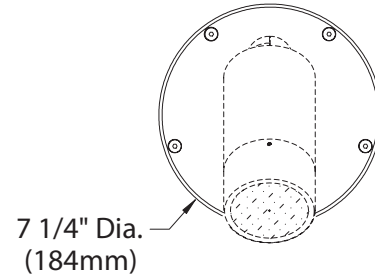
PROJECT:

TYPE:

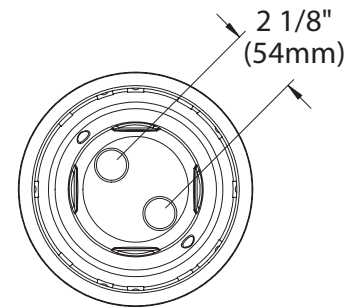
SIDE VIEW



TOP VIEW



BOTTOM VIEW



STANDARD FINISHES



PREMIUM FINISHES



[Click Here](#) to view larger, full-color swatches of all available finishes on our website.

DATE:	PROJECT:	TYPE:
-------	----------	-------

ACCESSORIES (Configure separately)

SPECIFICATIONS

ELECTRICAL	DRIVER (27W)	For use with [1] 700mA (D27), Class A, constant current driver. 120- 277VAC (nominal) primary input voltage. 50/60Hz. >0.94 Power Factor, <15.0A in-rush current, 0.25A input current, ≤20%THD (nominal at 120VAC full load). Output over-voltage, over-current, and short circuit protection with auto recovery. EMC: FCC47CFR Part 15 Class B compliant. Dimming driver for use with standard incandescent dimmers. 10-100% range. Driver Wattage must match Fixture Wattage.
	WIRING/CONNECTORS	Teflon® coated wire, 18 gauge, 600V, 250°C rated and certified to UL1659 standard. OptiLock® and gear tray quick disconnects. [3] Water-Tight connectors supplied for line connection. Maximum [2] #10 & [1] #18. Minimum [1] #12 & [1] #18.
PHYSICAL	FACEPLATE	Solid, 1/2" machined 6061T6 copper-free aluminum with (5) black oxide, captive, stainless steel mounting screws.
	HOUSING	Corrosion-free composite, made from high strength, thermoformed, sheet molded polyester compound. Glass reinforced, flame retardant and UV stabilized. (2) Bottom-Entry, 3/4" NPT female conduit entries with knockout plugs and (4) side flats for 1/2" or 3/4" conduit adapters.
	PATENTED STABILITY FLANGE	Corrosion-free composite flange projects into installation substrate to reinforce housing stability. Integral REBAR saddles simplify installation onto concrete form. (4) Orthogonal bosses permit use of 1/2" PCV conduit or EMT to simplify vertical position and leveling of housing. Pre-set selftapping screws anchor housing at proper elevation.
	INSTALLATION	Integral, copper-free aluminum concrete pour collar (CPC), furnished in Black finish, permits for direct burial installation in soil or concrete. Consult Drainage Installation Guide for In-Grade Fixtures (DIG-IT) for compliance with proper soil preparation and drainage requirements prior to installation.
	WATER MANAGEMENT	Self Evacuating Airtight Lamp Module (S.E.A.L.™). IP-68 rated, vacuum sealed enclosure. Patented Anti-Condensation Valve (ACV™) eliminates condensation on interior components. Hightemperature silicone 'O' Ring at faceplate. Patented HydroLock® technology provides fail safe water barrier between junction box and interior components. Antisiphon valve (ASV™) prevents "wicking" through conductor insulation.
	FINISH	StarGuard®, our exclusive RoHs compliant, 15 stage chromate-free process cleans and conversion coats aluminum components prior to application of Class 'A' TGIC polyester powder coating. Finish to match fixture (specified separately.)
	WARRANTY	5 year limited warranty.
	LISTINGS	IP-68 Rated Enclosure. UL Listed. Certified to CAN/CSA/ANSI Standards. RoHs compliant. Made in the USA.