

|       |          |       |
|-------|----------|-------|
| DATE: | PROJECT: | TYPE: |
|-------|----------|-------|

CATALOG NUMBER LOGIC:



**CATALOG NUMBER LOGIC**

Example: RM - D34 - BZW - MT

**MATERIAL**

Aluminum

**SERIES**

RM - Remote Wall Mount (NEMA 3R)

**DRIVER TYPE\***

D34 - 34W Dimming Driver (Standard Dimming 1-100%)

D42 - 42W Dimming Driver (Standard Dimming 1-100%)

D57 - 57W Dimming Driver (Standard Dimming 1-100%)

D34ARC - 34W Dimming Driver (Architectural Dimming 0.1-100%)

D42ARC - 42W Dimming Driver (Architectural Dimming 0.1-100%)

**FINISH (See page 2 for full-color swatches)**

Standard Finishes (BZP, BZW, BLP, BLW, WHP, WHW, SAP, VER)

Premium Finish (ABP, AMG, AQW, BCM, BGE, BPP, CAP, CMG, CRM, HUG, NBP, OCP, RMG, SDS, SMG, TXF, WCP, WIR)

Also available in RAL Finishes

**INPUT VOLTAGE**

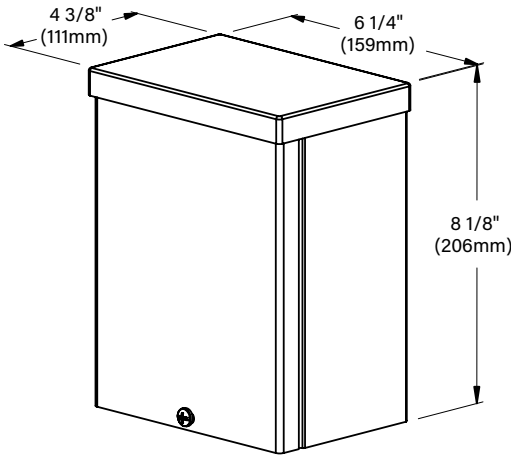
MT - 120-277 VAC

*\*For use with 0-10 dimmer. Driver wattage must match fixture wattage.*

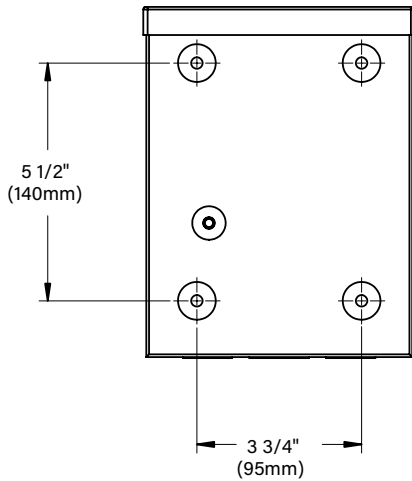
DATE:

PROJECT:

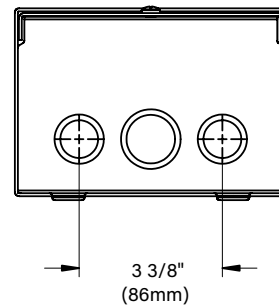
TYPE:



SIDE VIEW



BACK VIEW



END VIEW

## ⚠ REMOTE WIRING

### LED Driver

Remote driver installations require inter-connected wiring between the LED and driver (by others). Drivers have specific wiring requirements between these components. Driver manufacturers regularly recommend the following wiring details for such installations:

- Do not exceed 50 foot overall wiring distance using 12 gauge copper wire.

**Failure to comply with specific wiring requirements will void product warranty.**

### STANDARD FINISHES



[Click Here](#) to view larger, full-color swatches of all available finishes on our website.

### PREMIUM FINISHES



|       |          |       |
|-------|----------|-------|
| DATE: | PROJECT: | TYPE: |
|-------|----------|-------|

ACCESSORIES (Configure separately)

## SPECIFICATIONS

|            |                     |   |
|------------|---------------------|---|
| ELECTRICAL | WIRING / CONNECTORS | Teflon® coated wire, 18 gauge, 600V, 250°C rated and certified to UL1659 standard. Pre-wired and labeled terminal strip.  |
|            | DRIVER (34-57W)     | [1] 1.05A (D34, D42) or 1.4A (D57), Class A, constant current driver. 120-277VAC (nominal) primary input voltage. 50/60Hz. >0.90 Power Factor, <10.0A in-rush current, ≤20%THD (nominal at 120VAC full load). Output over-voltage, over-current, and short circuit protection with auto recovery. EMC: FCC47CFR Part 15 Class B compliant. Dimming driver for use with standard 0-10V dimmers and switch controls. Refer to driver electrical data for dimming range. |
| PHYSICAL   | INSTALLATION        | Nema 3R, surface mount design. For use with remote fixture (specified separately).  |
|            | HOUSING             | Steel construction with screw cover. Front access for ease of installation and inspection. [2] bottom entry, 3/4" conduit knockouts.  |
|            | FINISH              | StarGuard®, our exclusive RoHs compliant, 15 stage chromate-free process cleans and conversion coats aluminum components prior to application of Class 'A' TGIC polyester powder coating.   |
|            | WARRANTY            | 5 year limited warranty.  |
|            | LISTINGS            | NEMA 3R Enclosure. UL Listed. Certified to CAN/CSA/ANSI Standards. RoHs compliant. Made in USA.   |

