

# LIBERTY FLOODLIGHT (LBF)

## Standard Installation



<b>TOOLS NEEDED:</b>	5/32" Allen Wrench
	Waterproof Wire Connectors



**IMPORTANT - WEAR GLOVES TO AVOID GETTING FINGERPRINTS ON THIS PRODUCT. MANY TEKA ILLUMINATION PRODUCTS ARE DESIGNED TO NATURALLY PATINA. OILS FROM YOUR SKIN WILL ACCELERATE THIS PROCESS WHERE TOUCHED AND ARE NEARLY IMPOSSIBLE TO REMOVE. THIS PROCESS OCCURS OVER TIME AND IS DETERMINED BY THE INSTALLATION ENVIRONMENT.**

**INSTRUCTIONS PERTAINING TO A RISK OF FIRE, OR INJURY TO PERSONS IMPORTANT SAFETY INSTRUCTIONS**

**Lighted fixture is HOT!**  
**WARNING - To reduce the risk of FIRE OR INJURY TO PERSONS:**  
 Turn off/unplug and allow to cool before replacing lamp/LED. Fixture gets HOT quickly! Contact only switch/plug when turning on. Do not touch hot lens, guard, or enclosure. Keep fixture away from materials that may burn. Do not operate the luminaire fitting with a missing or damaged shield. Do not touch the source at any time. Use a soft cloth or gloves. Oil from skin may cause damage.

**SAVE THESE INSTRUCTIONS**

## IMPORTANT SAFETY INFORMATION - READ, FOLLOW, AND SAVE ALL SAFETY AND INSTALLATION INSTRUCTIONS

- Product must be installed by a qualified person in a manner consistent with its intended use and in compliance with the National Electrical Code, Canadian Electrical Code, and all Local and Provincial Codes.
- Follow product label information and instructions.
- Qualified Personnel with appropriate personal protective equipment must perform all servicing of this product.
- Before wiring to power supply and during servicing, turn off and lock out power at fuse or circuit breaker before service.
- The use of accessory equipment not recommended by the manufacturer or installed contrary to instructions may cause an unsafe condition. The use of damaged components may cause an unsafe condition and void product warranty.
- Do not block light emanating from product in whole or part, as this may cause an unsafe condition.
- Never operate the fixture with missing or damaged lens. Lens must be cleaned on regular basis.
- Entire fixture may become extremely hot. Do not touch hot lens or fixture body.
- Replace LED assembly only with correct wattage and type of power supply appropriate for LED assembly.
- All gaskets, o-rings and sealing surfaces must be kept clean during installation and service; failure to do this may cause an unsafe condition and void product warranty.

## IMPORTANT LISTINGS AND CERTIFICATIONS

- Suitable for wet locations

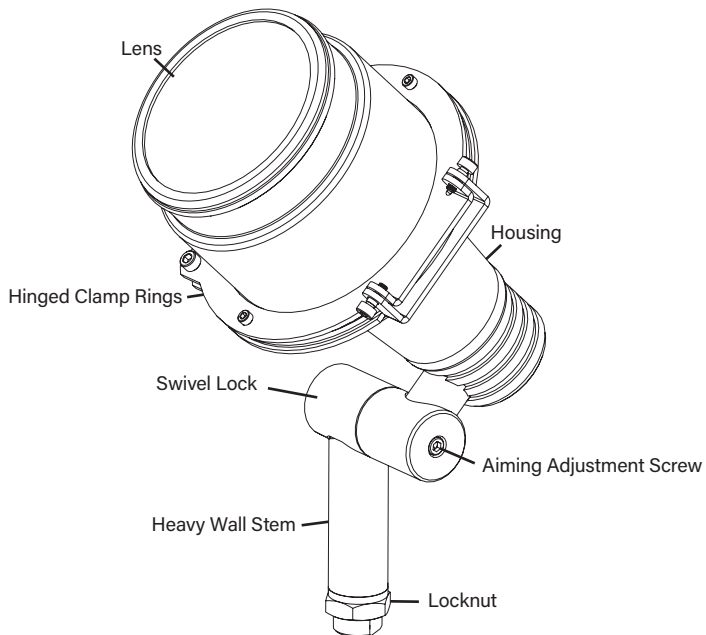
## REMOTE WIRING

### LED Driver

Remote driver installations require inter-connected wiring between the LED and driver (by others). Drivers have specific wiring requirements between these components. Driver manufacturers regularly recommend the following wiring details for such installations:

- Do not exceed 50 foot overall wiring distance using 12 gauge copper wire.

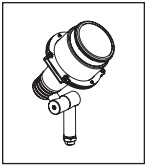
**Failure to comply with specific wiring requirements will void product warranty.**



## IMPORTANT SAFETY INFORMATION - READ, FOLLOW, AND SAVE THESE INSTALLATION INSTRUCTIONS

<b>TEKA</b> ILLUMINATION	40429 Brickyard Drive • Madera, CA 93636 • USA 559.438.5800 • FAX 559.438.5900 www.tekaillumination.com • info@tekaillumination.com	RELEASE DATE 04/18/2024	REFERENCE NUMBER INS-2615-00
--------------------------	---	----------------------------	---------------------------------

THIS DOCUMENT CONTAINS PROPRIETARY INFORMATION OF TEKA ILLUMINATION AND ITS RECEIPT OR POSSESSION DOES NOT CONVEY ANY RIGHTS TO REPRODUCE, DISCLOSE ITS CONTENTS, OR TO MANUFACTURE, USE OR SELL ANYTHING IT MAY DESCRIBE. REPRODUCTION, DISCLOSURE OR USE WITHOUT SPECIFIC WRITTEN AUTHORIZATION OF TEKA ILLUMINATION IS STRICTLY FORBIDDEN.

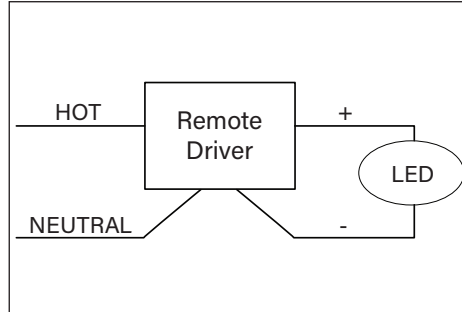
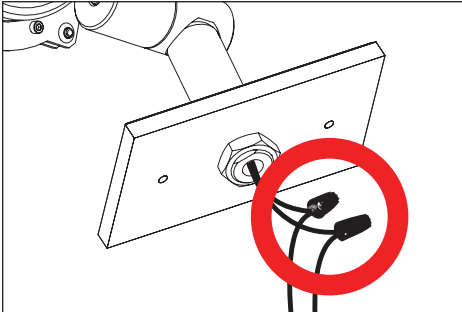


# LIBERTY FLOODLIGHT (LBF)

## Standard Installation

**⚠ Must install to a suitable enclosure.**

## Standard Fixture Installation

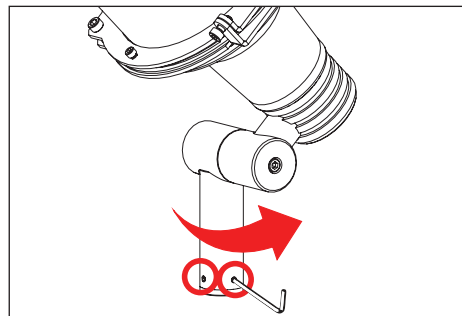
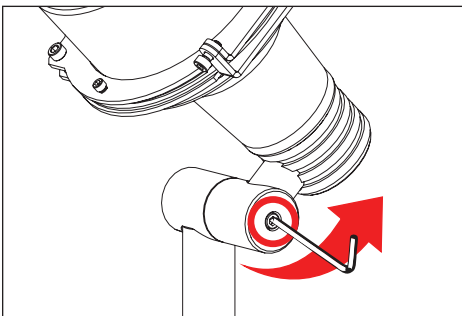


1. Mount fixture onto suitable enclosure according to designed lighting plan. Use locknut to secure.

### WIRING DIAGRAM

2. Make watertight connections from remote driver to fixture leads using waterproof wire connectors (not included). **See wiring diagram.**

## Aiming



1. To aim vertically, loosen the lamp head adjustment screw using a 5/32" allen wrench, adjust as needed, then secure aiming position by tightening lamp head adjustment screw.

2. To aim horizontally, loosen two (2) #8-32 set screws using a 5/64" allen wrench. Adjust horizontal aim, then secure aiming position by tightening set screws.

**⚠ Do not rotate more than 360 degrees to avoid wire damage.**

**⚠ Do not rotate more than 360 degrees to avoid wire damage.**

**IMPORTANT SAFETY INFORMATION LISTED ON REVERSE  
READ, FOLLOW, AND SAVE ALL SAFETY AND INSTALLATION INSTRUCTIONS**

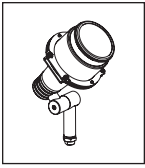


**TEKA** ILLUMINATION

40429 Brickyard Drive • Madera, CA 93636 • USA  
559.438.5800 • FAX 559.438.5900  
www.tekaillumination.com • info@tekaillumination.com

RELEASE DATE  
**04/18/2024**

REFERENCE NUMBER  
**INS-2615-00**

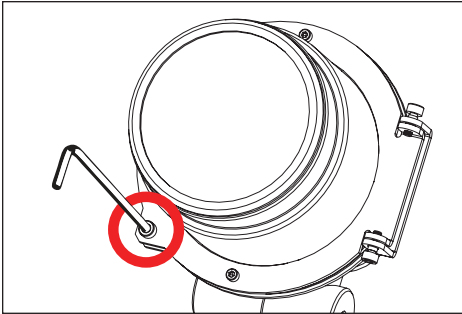


# LIBERTY FLOODLIGHT (LBF)

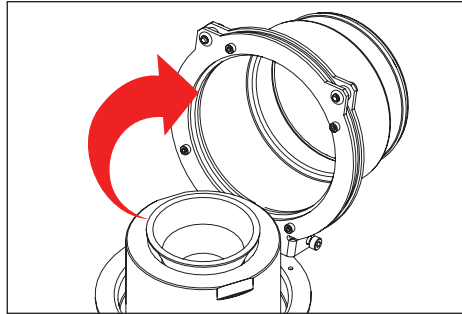
## Standard Installation



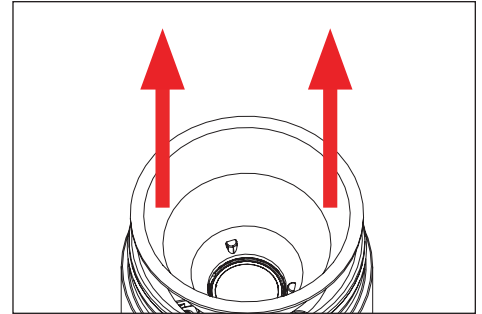
This product is available with field replaceable components. Exclusive interchangeable OPTIKITS and modular LED components with quick disconnects simplifies upgrades and maintenance when necessary.



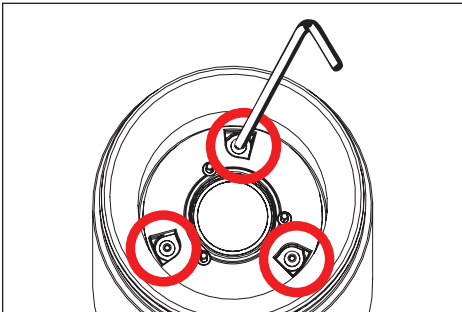
1. Loosen two (2) captive screws on stainless steel clamp rings using a 5/32" allen wrench until the screws disengage from back plate.



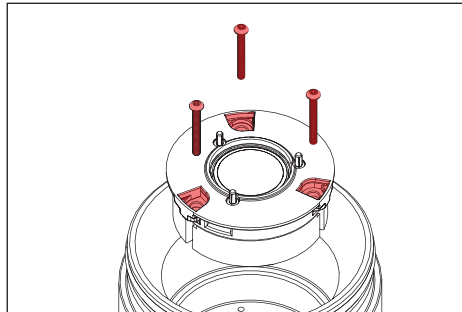
2. Swing lens assembly open.



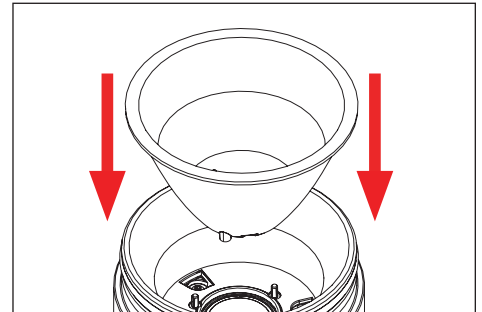
3. Remove optic by pulling gently and lift up.



4. Use a .050" allen wrench to loosen three (3) set screws holding optic holder and LED module.

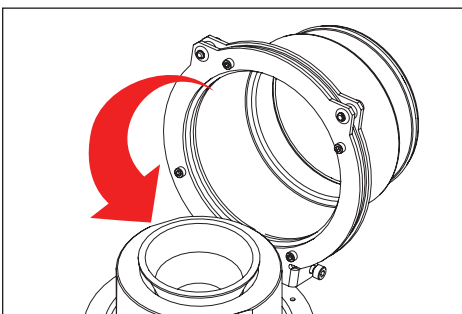


5. Gently lift LED module and disconnect from fixture. Install new LED module. Secure set screws through LED module and optic holder using a .050" allen wrench.

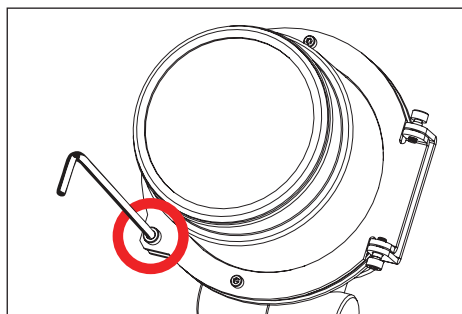


6. Replace optic by lining tabs with optic holder, then pressing down gently until secured into place.

**Do not pull on connector or wiring. Handle with care.**



7. Close swing assembly.



8. Tighten two (2) captive screws on stainless steel clamp rings using a 5/32" allen wrench. **Do not overtighten.**

**IMPORTANT SAFETY INFORMATION LISTED ON REVERSE  
READ, FOLLOW, AND SAVE ALL SAFETY AND INSTALLATION INSTRUCTIONS**



**TEKA** ILLUMINATION

40429 Brickyard Drive • Madera, CA 93636 • USA  
559.438.5800 • FAX 559.438.5900  
www.tekaiillumination.com • info@tekaiillumination.com

RELEASE DATE  
04/18/2024

REFERENCE NUMBER  
INS-2615-00