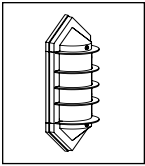


ARCADE SERIES

(AR)



Standard Installation



TOOLS NEEDED:	
	3/16" Allen Wrench
	Waterproof Wire Connectors
	Mounting Hardware
	Drill
	Silicone



IMPORTANT - WEAR GLOVES TO AVOID GETTING FINGERPRINTS ON THIS PRODUCT. MANY TEKA ILLUMINATION PRODUCTS ARE DESIGNED TO NATURALLY PATINA. OILS FROM YOUR SKIN WILL ACCELERATE THIS PROCESS WHERE TOUCHED AND ARE NEARLY IMPOSSIBLE TO REMOVE. THIS PROCESS OCCURS OVER TIME AND IS DETERMINED BY THE INSTALLATION ENVIRONMENT.

INSTRUCTIONS PERTAINING TO A RISK OF FIRE, OR INJURY TO PERSONS IMPORTANT SAFETY INSTRUCTIONS

Lighted fixture is HOT!

WARNING - To reduce the risk of FIRE OR INJURY TO PERSONS:

Turn off/unplug and allow to cool before replacing lamp/LED. Fixture gets HOT quickly! Contact only switch/plug when turning on. Do not touch hot lens, guard, or enclosure. Keep fixture away from materials that may burn. Do not operate the luminaire fitting with a missing or damaged shield. Do not touch the source at any time. Use a soft cloth or gloves. Oil from skin may cause damage.

SAVE THESE INSTRUCTIONS

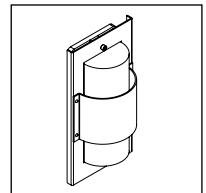
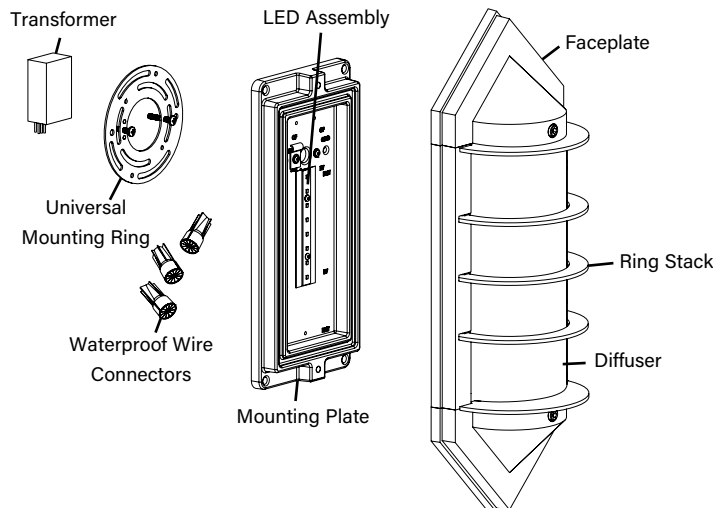
IMPORTANT SAFETY INFORMATION - READ, FOLLOW, AND SAVE ALL SAFETY AND INSTALLATION INSTRUCTIONS

- Product must be installed by a qualified person in a manner consistent with its intended use and in compliance with the National Electrical Code, Canadian Electrical Code, and all Local and Provincial Codes.
- Follow product label information and instructions.
- Qualified Personnel with appropriate personal protective equipment must perform all servicing of this product.
- Before wiring to power supply and during servicing, turn off and lock out power at fuse or circuit breaker before service.
- The use of accessory equipment not recommended by the manufacturer or installed contrary to instructions may cause an unsafe condition. The use of damaged components may cause an unsafe condition and void product warranty.
- Do not block light emanating from product in whole or part, as this may cause an unsafe condition.
- Never operate the fixture with missing or damaged lens. Lens must be cleaned on regular basis.
- Entire fixture may become extremely hot. Do not touch hot lens or fixture body.
- Replace LED assembly only with correct wattage and type of power supply appropriate for LED assembly.
- All gaskets, o-rings and sealing surfaces must be kept clean during installation and service; failure to do this may cause an unsafe condition and void product warranty.

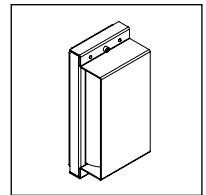
IMPORTANT LISTINGS AND CERTIFICATIONS

- Suitable for wet locations

Louvered Shield (AR-LS)



Half Shield (AR-HS)



Full Shield (AR-FS)

IMPORTANT SAFETY INFORMATION - READ, FOLLOW, AND SAVE THESE INSTALLATION INSTRUCTIONS

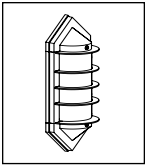
TEKA ILLUMINATION

40429 Brickyard Drive • Madera, CA 93636 • USA
559.438.5800 • FAX 559.438.5900
www.tekaillumination.com • info@tekaillumination.com

RELEASE DATE
04/01/2024

REFERENCE NUMBER
INS-2552-00

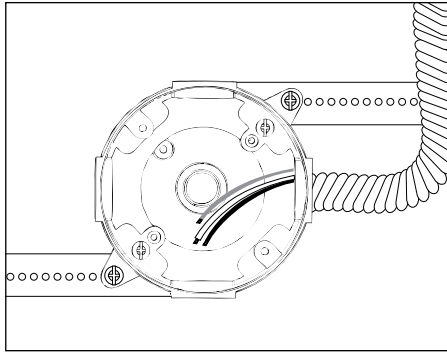
THIS DOCUMENT CONTAINS PROPRIETARY INFORMATION OF TEKA ILLUMINATION AND ITS RECEIPT OR POSSESSION DOES NOT CONVEY ANY RIGHTS TO REPRODUCE, DISCLOSE ITS CONTENTS, OR TO MANUFACTURE, USE OR SELL ANYTHING IT MAY DESCRIBE. REPRODUCTION, DISCLOSURE OR USE WITHOUT SPECIFIC WRITTEN AUTHORIZATION OF TEKA ILLUMINATION IS STRICTLY FORBIDDEN.



Standard Installation

Phase 1 - Rough In

Installation of Back box



Additional Info

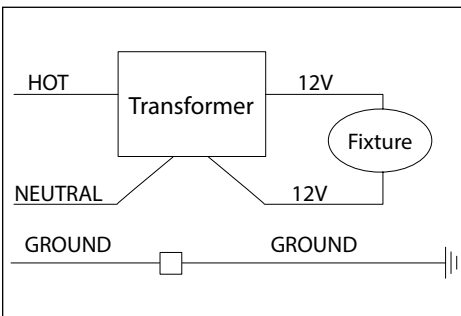
- Please follow National and Local electrical codes for your area.
- Use 4" round cast box.
- Suitable for through wire.
- Suitable for installation into combustible materials.
- Rated for 90° C.
- Junction box, universal mounting ring screws, box mounting hardware and gaskets (not included).

⚠ **Junction box must be secured to a structural member suitable for weight of the luminaire and other weight likely to be placed upon it.**

⚠ **AR Series not intended for base down mounting.**

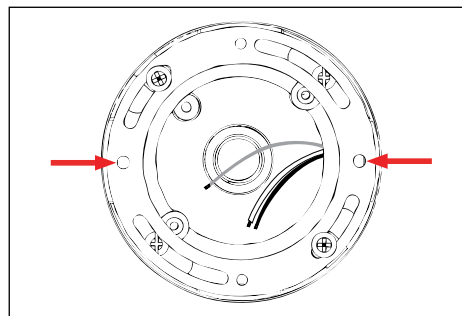
1. Install conduit (not included) to be used with this product.
2. Install junction box so that front face is flush with finished wall.
3. Connect box to conduit and pull wires for connections (**See wiring diagram**).

Phase 2 - Fixture Installation



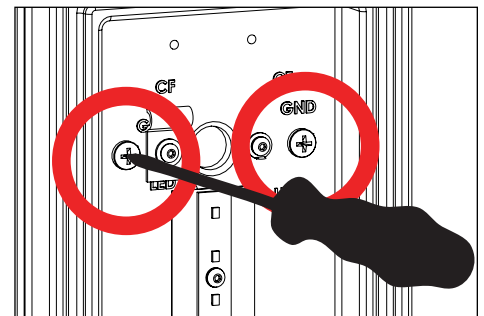
WIRING DIAGRAM

1. Make watertight connections using waterproof wire connectors to connect primary branch circuit wiring to primary side of transformer. Place transformer into junction box. **See wiring diagram.**

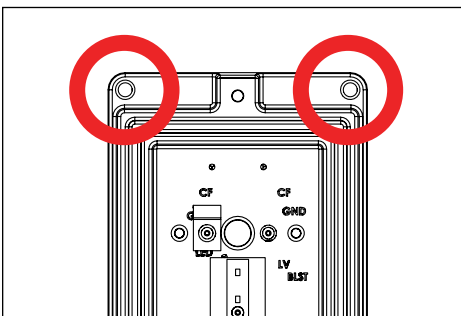


2. Install universal mounting ring.

⚠ **IMPORTANT! Orientation of universal mounting ring determines fixture orientation.**

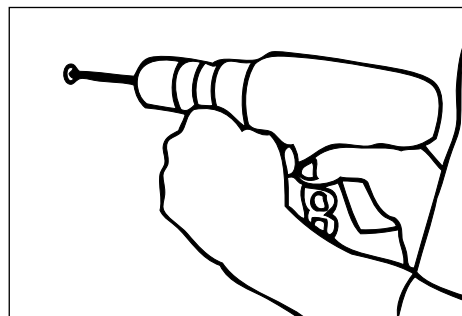


3. Temporarily attach mounting plate to universal mounting ring using two (2) screws in final mounting position with Phillips screwdriver.

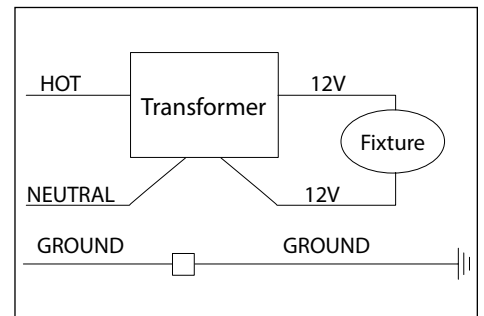


4. Using holes on mounting plate as a guide, mark location of 1/4" fasteners to be used to anchor mounting plate securely to wall.

Dimensions will vary with size of fixture.



5. Remove mounting plate, then drill holes into surface as per marked locations for 1/4" fasteners (fasteners not included). Use suitable mounting hardware for mounting surface.

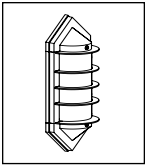


WIRING DIAGRAM

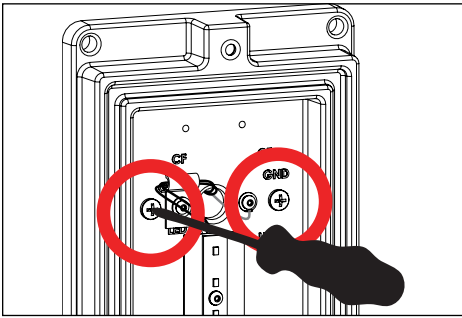
6. Make watertight connections using waterproof wire connectors to connect secondary side of transformer in junction box with fixture leads. **See wiring diagram.**

**IMPORTANT SAFETY INFORMATION LISTED ON REVERSE
READ, FOLLOW, AND SAVE ALL SAFETY AND INSTALLATION INSTRUCTIONS**

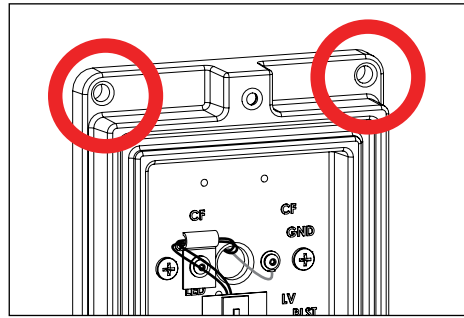




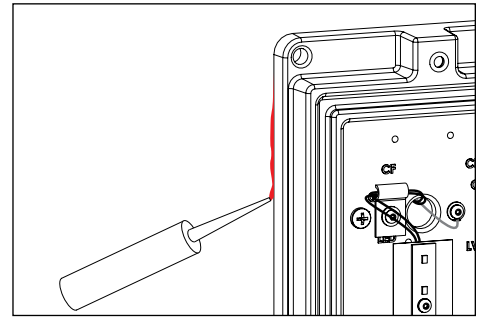
Standard Installation



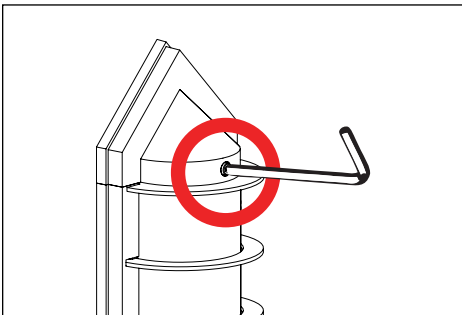
8. Reattach mounting plate to universal mounting ring using the two (2) #8-32 screws.



9. Anchor mounting plate with 1/4" fasteners. Use suitable mounting hardware for mounting surface.



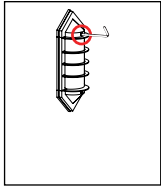
10. Place a bead of silicone-based sealant around the mounting plate to create a watertight seal.



11. Install the faceplate to the mounting plate using two (2) 1/4-20 screws using a 3/16" allen wrench. **Do not overtighten.**

**IMPORTANT SAFETY INFORMATION LISTED ON REVERSE
READ, FOLLOW, AND SAVE ALL SAFETY AND INSTALLATION INSTRUCTIONS**





Standard Installation

ARCADE SERIES (AR)

**IMPORTANT SAFETY INFORMATION LISTED ON REVERSE
READ, FOLLOW, AND SAVE ALL SAFETY AND INSTALLATION INSTRUCTIONS**



TEKA ILLUMINATION

40429 Brickyard Drive • Madera, CA 93636 • USA
559.438.5800 • FAX 559.438.5900
www.tekaillumination.com • info@tekaillumination.com

RELEASE DATE
03/22/2022

REFERENCE NUMBER
INS-2552-00